

Verderair VA-H50 SB-SF-FP



VA-H50 SB-SF-FP

VERDERAIR

Technical data			
Weight [kg]	All models		66
Suction lift [mwc]	SB execution	Dry	2,8
		Wet	5,5
	SF/FP execution	Dry	1,8
		Wet	3,5
Temperature [°C]	Internals	EO	0 135
		TF	4 104
		TO	4 82
		SP	-40 82
Max. Particle size [mm]	SB execution		25,4
	SF/FP execution		63,5
Max. Viscosity (mPas)			20000
Certifications	Internals	TF/EO	EN1935/2004
	All models	All models	FDA

Code VA-H50 No.1 No.2 No.3 No.4 No.5 No.6 No.7		
<p>no.1 Fluid section material</p> <p>⚠ S = 316 Stainless Steel, Ra: 0,8µm</p> <p>No. 2 Air Section material</p> <p>⚠ S = 316 Stainless Steel, Ra: 0,8µm</p> <p>No. 3 Check Valve seat material</p> <p>SE = SS seat with EPDM o-rings</p> <p>No. 4 Check valve ball material</p> <p>SP = Santoprene</p> <p>☒ TF = PTFE</p> <p>☒ FL = SS316 Flap valve</p>	<p>No. 5 Diaphragm material</p> <p>SP = Santoprene</p> <p>☒ EO = EPDM overmolded</p> <p>TO = PTFE/EPDM overmolded</p> <p>☒ TF = PTFE/EPDM 2 piece</p> <p>No. 6 Fluid connections</p> <p>D4 = DIN 11851, DN40, male</p> <p>D5 = DIN 11851, DN50, male</p> <p>D8 = DIN 11851, DN80, male</p> <p>T4 = Tri-Clamp (ASME BPE), 1 1/2"</p> <p>T5 = Tri-Clamp (ASME BPE), 2"</p> <p>T8 = Tri-Clamp (ASME BPE), 3"</p> <p>T1 = Tri-Clamp (ASME BPE), 4" (only SF version)</p>	<p>No. 7 Pump Style</p> <p>SB = Ball valve execution</p> <p>SF = Flap valve execution</p> <p>FP = Flap valve execution, without manifolds</p>

EXAMPLE PUMP TYPE

VA-H50SS SE TF TO D5 SB



Ex II 2 G c IIB T6

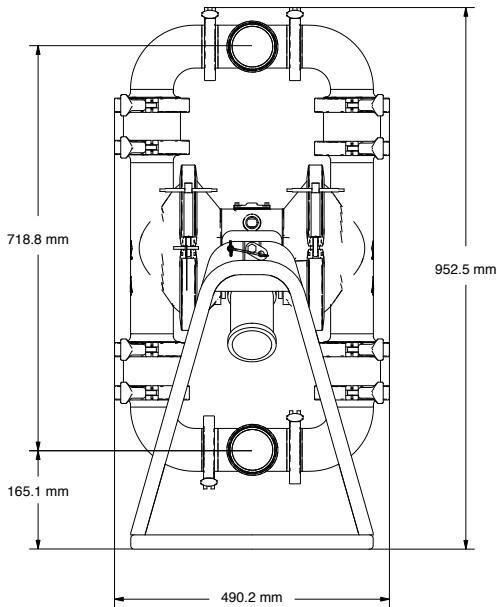


EN 1935/2004

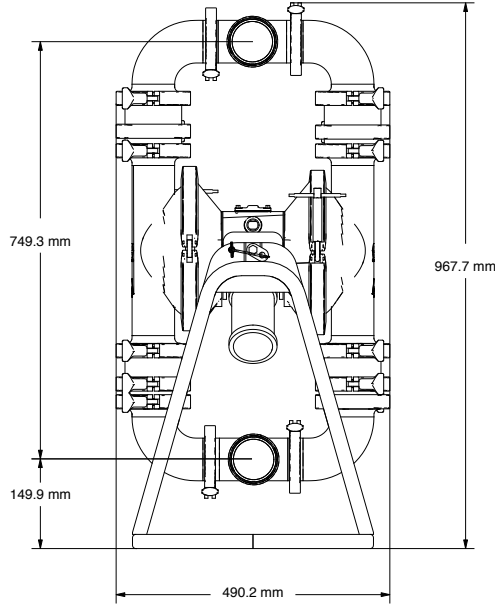


Verderair VA-H50 SB-SF-FP

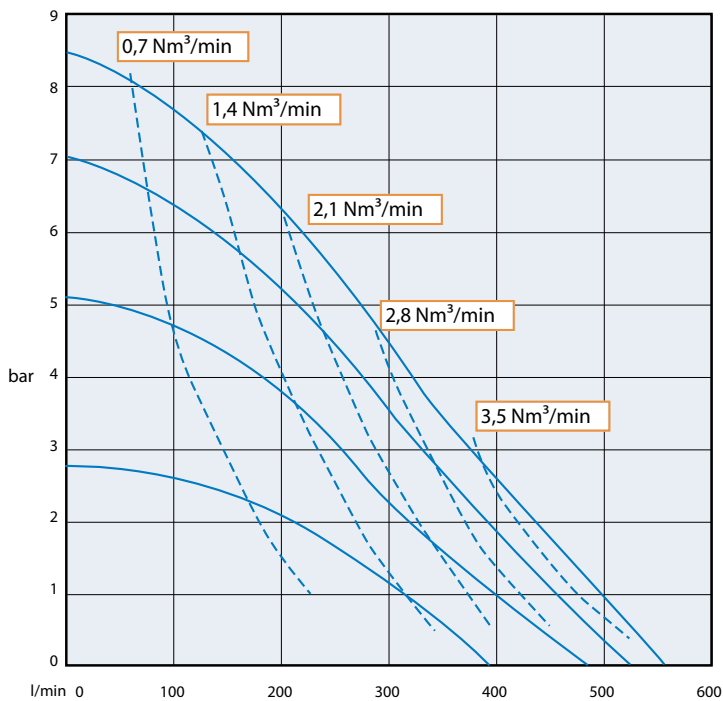
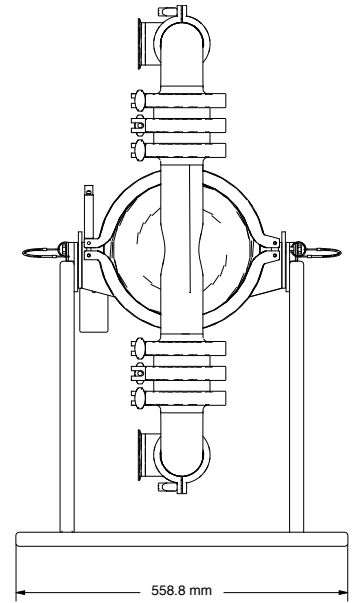
VA-H50 SB-SF-FP



VA-H50 SB



VA-H50 SF



Air consumption

VA-H50 SB-SF-FP_Techno_Rev01-2014_EU_(eu)

Find your local supplier at www.verderair.com

VERDER
passion for pumps