

# Verderair

## VA 50 (HE) Non-metallic



VERDERAIR®

### Description

The VA50 (HE) non-metallic double diaphragm pumps are excellent pumps for use in a wide range of applications across many industries. Those pumps are using the modern technology to make them the most efficient on the market! The air section is from Polypropylene, which makes the pump suitable to be installed in the most severe environments. The VA50 (HE) is available in 2 different materials for the pump body and 4 different materials for the diaphragms. This makes it possible to select the best solution for your application.

### Your benefits

- Energy efficient
- Less downtime
- Easy to install, operate and maintain
- Ant-ice muffler
- Free of air lubrication
- Non-stalling air valve
- Can run-dry without damage
- Dry self-priming

### Technical data

Weight [kg]	Fluid & air section	PP	36,3
		KP	48,1
Max. suction lift [mwc]		Dry	4,9
		Wet	9,4
Temperature [°C]	<b>Fluid section</b>	<b>Internals</b>	
	P	All except TF,TO	0 66
	P	TF, TO	4 66
	K	VT, KY	0 107
	K	PP	0 66
	K	TF, TO	4 82
	K	SP	0 82
Max. Particle size [mm]			9,5
Max. recommended viscosity (mPas)			20000

### Code VA50 No.1 No.2 No.3 No.4. No.5 No.6 No.7

#### No.1 Fluid section

K = Kynar (PVDF)  
P = Polypropylene

#### No.2 Air section

P = Polypropylene

#### No.3 Check valve seats

KY = Kynar (PVDF)  
PP = Polypropylene

SP = Santoprene

SS = Stainless Steel

#### No. 4 Check Valve Balls

SP = Santoprene

TF = PTFE

VT = Viton (FKM)

#### No.5 Diaphragms

SP = Santoprene

TF = PTFE/EPDM 2 piece

TO = PTFE/EPDM overmolded

VT = Viton (FKM)

#### No. 6 Connections

FC = Center Flange DIN/ANSI \*

FE = End Flange DIN/ANSI

#### No. 7 Options

OO = Standard

\* only available for VA50PP

EXAMPLE PUMP TYPE

**VA50PP PP TF TO FE OO**

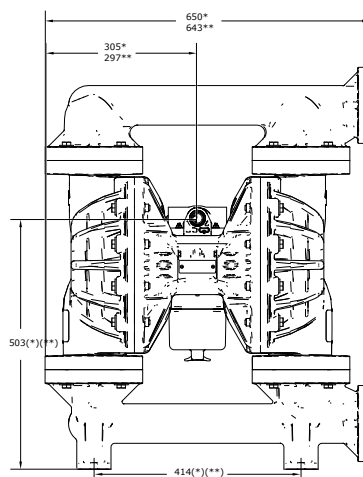
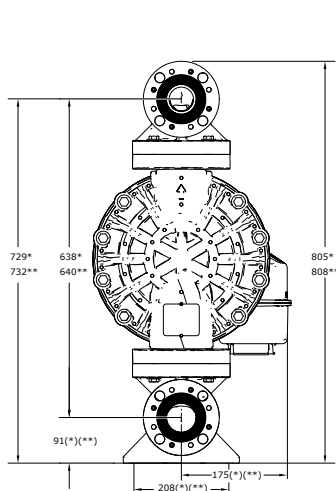
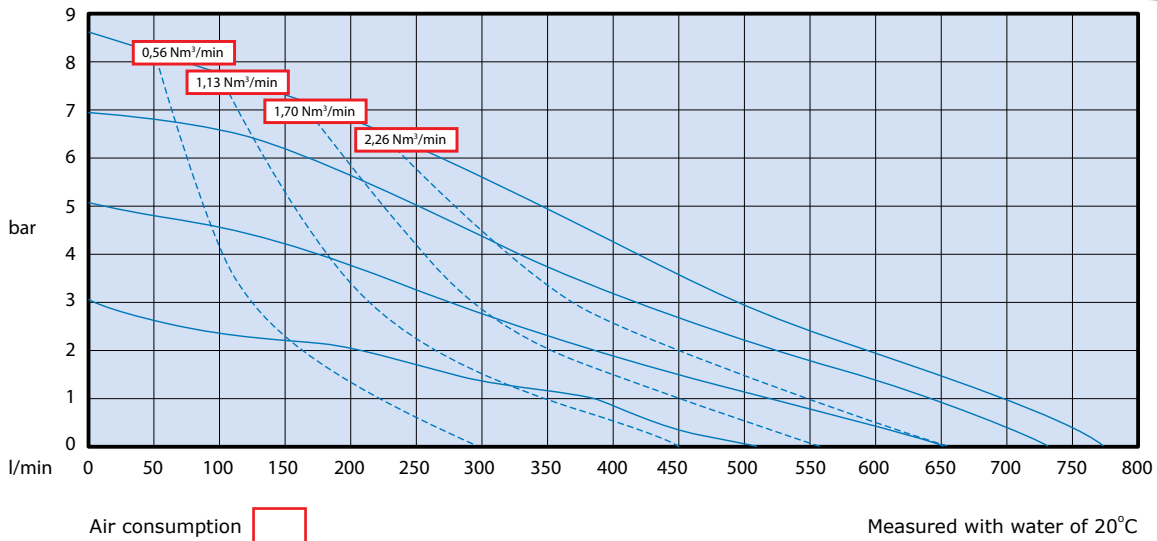
NOTE not all combinations are available

# Verderair

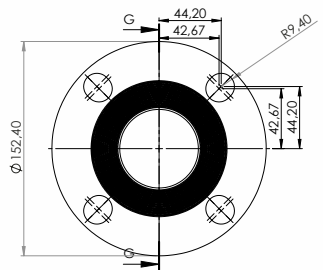
## VA 50 (HE) Non-metallic



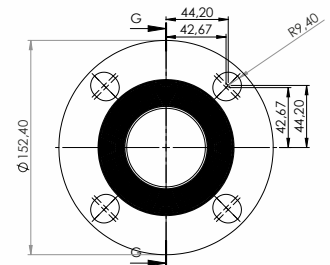
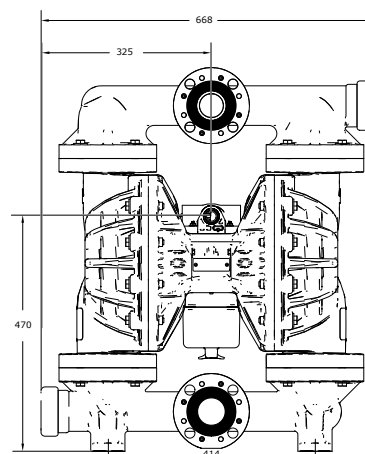
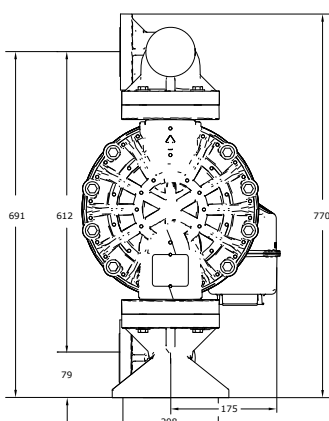
VERDERAIR®



\* PP Version  
\*\* KP Version



End flange models



Centre flange models (only in PP)

VA50\_HE\_nonmet\_Technosheet\_rev02\_2015\_(eu)

All dimensions are in mm. All dimensions are for guidance only.

Find your local supplier  
at [www.verderair.com](http://www.verderair.com)

For construction, installation and floor mounting drawings  
please contact your local authorised Verderair® distributor.

**VERDER**  
passion for pumps

