

# Verderair

## VA25 (HE) non-metallic



VERDERAIR®

### Description

The VA25 (HE) non-metallic double diaphragm pumps are excellent pumps for use in a wide range of applications across many industries. Those pumps are using the modern technology to make them the most efficient on the market! The air section is from Polypropylene, which makes the pump suitable to be installed in the most severe environments. The VA25 (HE) non-metallic is available in 3 different materials for the pump body and 9 different materials available for the diaphragms. This makes it possible to select the best solution for your application.

### Your benefits

- Energy efficient
- Less downtime
- Easy to install, operate and maintain
- Ant-ice muffler
- Free of air lubrication
- Non-stalling air valve
- Can run-dry without damage
- Dry self-priming

### Technical data

Weight [kg]	Fluid & air section	PP, CC	8,2	
		KP	11,8	
Max. suction lift [mwc]		Dry	4,9	
		Wet	8,8	
Temperature [°C]	<b>Fluid section</b>	<b>Internals</b>		
	C, P	All except TF,TO	0	66
	C, P	TF, TO	4	66
	K	AC, BN, NO,NE, NW, SP	-12	82
	K	VT, KY	-12	107
	K	GE, HY	-12	66
	K	PP	0	66
	K	TO	4	82
	K	TF	4	104
Max. Particle size [mm]			3,2	
Max. recommended viscosity (mPas)			10000	

# Verderair

## VA25 (HE) non-metallic



VERDERAIR®

Code VA25 No.1 No.2 No.3 No.4. No.5 No.6 No.7

### No.1 Fluid section

- ⚠ C = Conductive Polypropylene
- K = Kynar (PVDF)
- P = Polypropylene

### No.2 Air section

- ⚠ C = Conductive Polypropylene
- P = Polypropylene

### No.3 Check valve seats

- AC = Acetal
- AL = Aluminium
- BN = Buna-N
- GE = Geolast
- HY = Hytrel (TPE)
- KY = Kynar (PVDF)
- PP = Polypropylene
- SP = Santoprene

- SS = Stainless Steel
- VT = Viton (FKM)

### No. 4 Check valve balls

- AC = Acetal
- BN = Buna-N
- GE = Geolast
- HY = Hytrel (TPE)
- SP = Santoprene
- SS = Stainless Steel
- VT = Viton (FKM)
- TF = PTFE
- NE = Neoprene
- NW = Neoprene Weighted

### No.5 Diaphragms

- BN = Buna-N
- GE = Geolast

- HY = Hytrel (TPE)
- NE = Neoprene
- NO = Neoprene overmolded
- SP = Santoprene
- TF = PTFE/EPDM 2 piece
- TO = PTFE/EPDM overmolded
- VT = Viton (FKM)

### No. 6 Connections

- FC = Center Flange DIN/ANSI
- FE = End Flange DIN/ANSI

### No. 7 Options

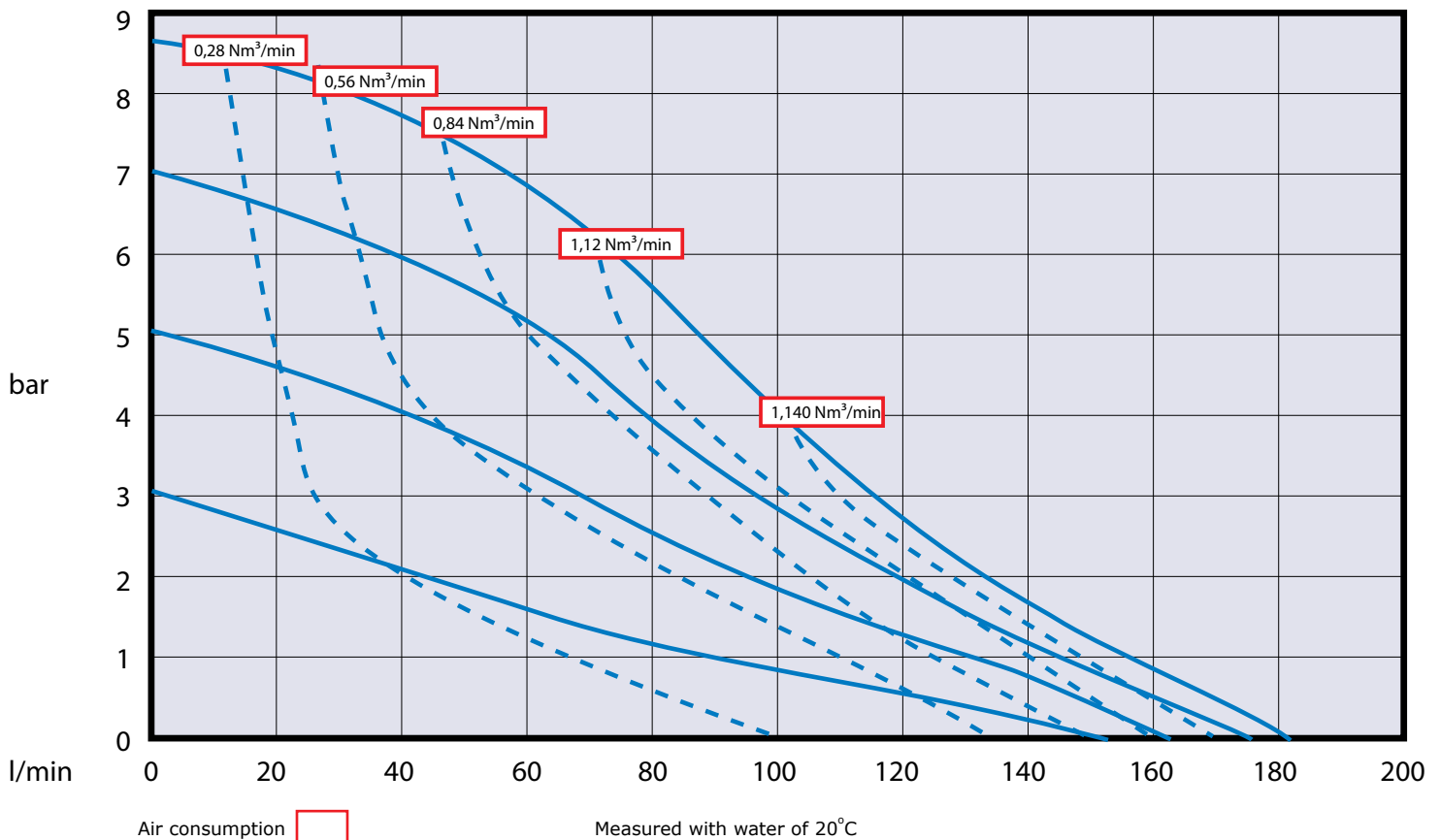
- OO = Standard
- RE = Remote
- SS = Stroke sensor

EXAMPLE PUMP TYPE

VA25PP PP TF TO FE OO

⚠ II 2 GD c IIC T4

NOTE not all combinations are available



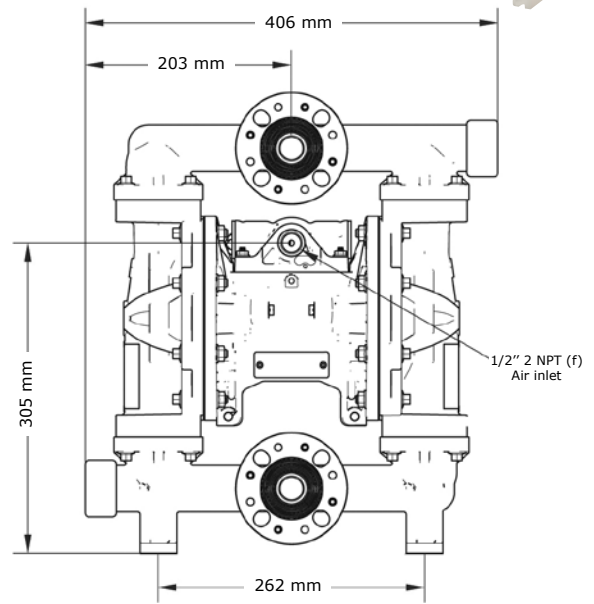
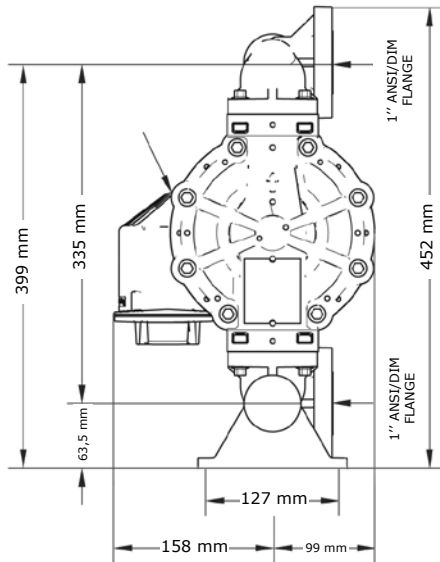
# Verderair

## VA25 (HE) non-metallic

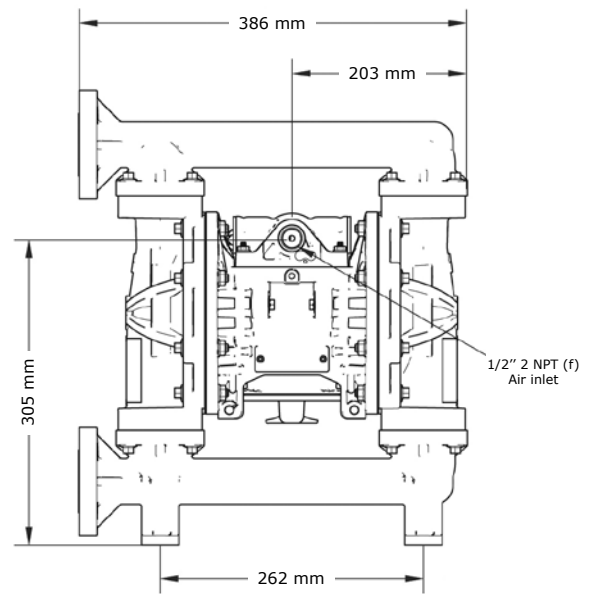
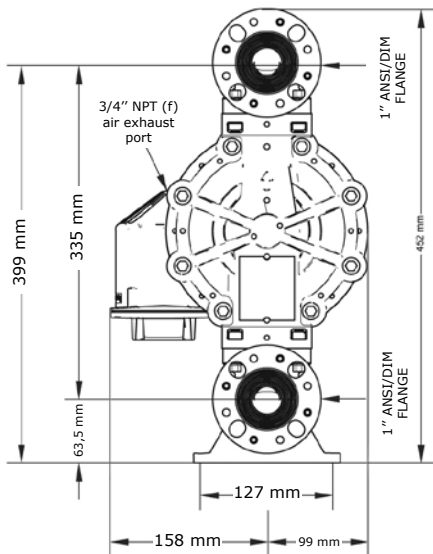


VERDERAIR®

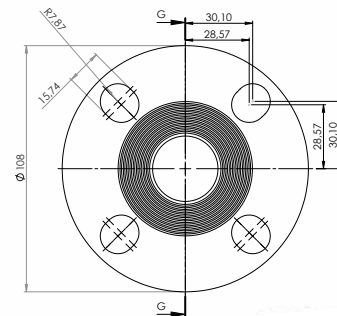
### CENTRE FLANGE



### END FLANGE



### FLANGE DIMENSION IN MM



All dimensions are in mm.  
All dimensions are for guidance only.

VA25\_HE\_nonmet\_Technosheet\_rev02\_2015\_(eu)

**lobe**

**Danmark**  
Lobe ApS  
Tlf. +45 7684 3484  
Mail: [sales@lobe.dk](mailto:sales@lobe.dk)  
[www.lobe.dk](http://www.lobe.dk)

**Norge**  
Lobe AS  
Tlf. +47 6710 5000  
Mail: [sales@lobe.no](mailto:sales@lobe.no)  
[www.lobe.no](http://www.lobe.no)

**VERDER**  
passion for pumps