



Torqueflow Sydex

Fluid Management

Torqueflow-Eliminator™ Macerator Pump



Quality through Service

Torqueflow-Eliminator™

Function:

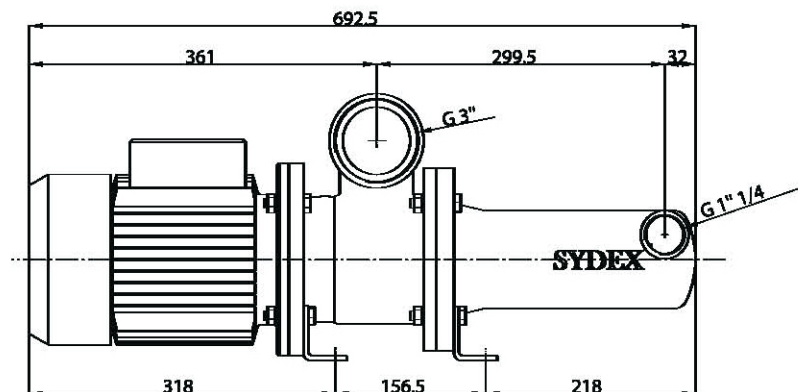
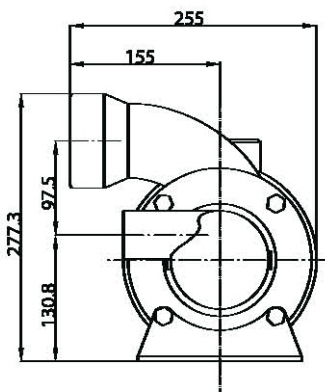
Self-priming progressing cavity screw pump capable of suction lift applications. The Bi-Hammer Macerator reduces particle size before entering the pumping element. Macerated waste is transferred to the final destination.

Benefits and Features:

- Integral Macerator unit - hardened tool steel cutter macerates and shreds the solids into small particles.
- Elevated pressure capacity (6 bar)
- Simple design
- quick and easy maintenance;
- Double bearings giving significantly better reliability than other units
- The pump is easy to handle and clean.
- Low speed running - long service life.
- Seal system: Mechanical seal
- No liquids leaking.
- AISI 316 construction (Rotating parts).
- Capacity: Up to 3.5 M3/H - 925 GPH - Pressure: Up to 6 bar

Torqueflow-Eliminator™ applications:

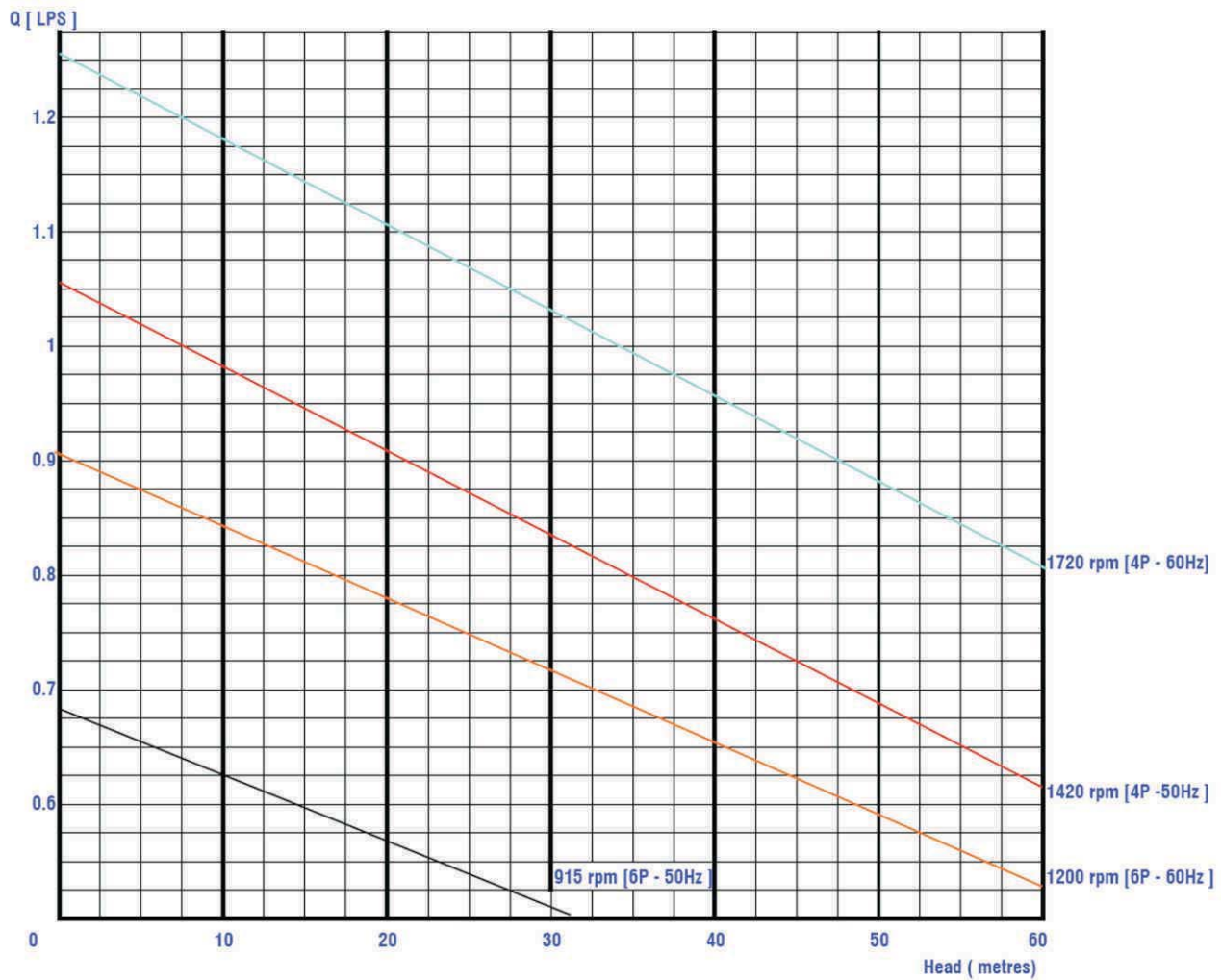
- Single and multiple residential complexes.
- Schools and public institutions
- Ships and shipyards
- Hotels, camping areas and caravan parks
- Sporting and country clubs centres
- Industrial buildings
- Nursing homes
- Farms
- Shopping centres



Torqueflow-Eliminator™

MODEL	C31
RANGE	GRINDER UNIT
STATOR	NITRILE

REVISION	00
DATE	FEBB-06



FLOW RATE AND HEAD							
Motor Size	Port Size	10m	20m	30m	40m	50m	60m
1,1 kW	IN 3" BSP Out 1" 1/4 BSP	0,97 lps	0,91 lps	0,84 lps	0,77 lps	0,68 lps	0,62 lps

Tolerance : +/- 10%
Suction Lift : 3,5 metres



Torqueflow Sydex

Fluid Management

Torqueflow-Sydex was established in the UK in 2006 working closely with its sister company Sydex. With over 20 years of experience in the pump industry, our purpose is to offer unrivalled levels of service and expertise. Founded in 1999, Sydex has developed an extensive range of high quality and cost effective progressing cavity pumps, which are today used extensively all over the world. By being able to provide state-of-the-art market-driven products, flexibility in providing customer-focused solutions, and unparalleled levels of service, we are experiencing rapid growth throughout the globe, this growth has led to the establishment of Torqueflow-Sydex.

Our products are available in Europe, America, Asia and Oceania. Please contact us for more detail

Quality through Service

lobe

Danmark

Lobe ApS
Tlf. +45 7684 3484
Mail: sales@lobe.dk
www.lobe.dk

Norge

Lobe AS
Tlf. +47 6710 5000
Mail: sales@lobe.no
www.lobe.no