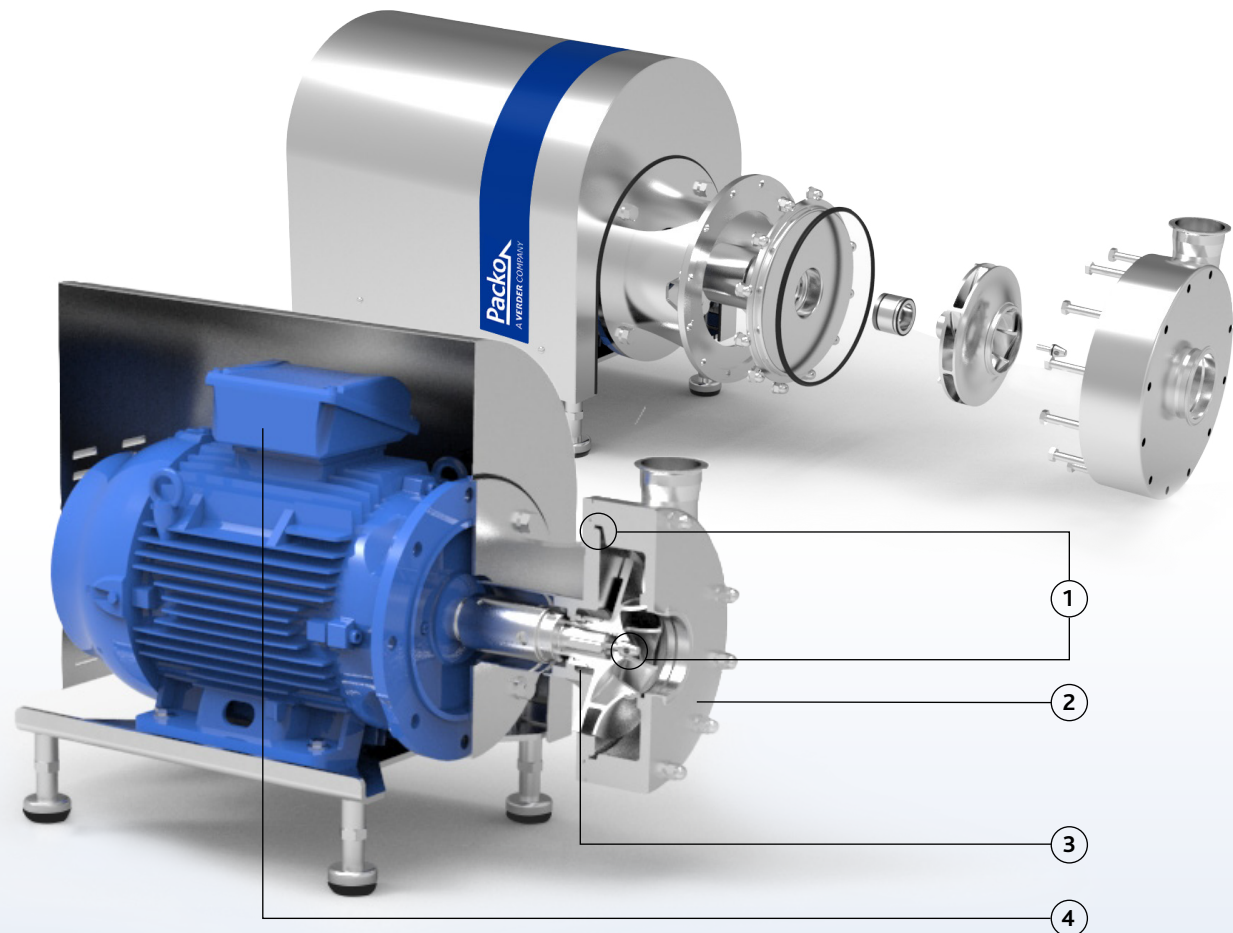


Pump series FPP3



Characteristics

The food grade Packo stainless steel pumps of the FPP3 series are pumps made of solid, machined stainless steel 316L and are extremely suitable for high system pressure applications up to 40 bar. Typical applications can be found in reverse osmosis applications in all kind of food related applications such as whey filtration, CIP waste filtration, beer filtration, etc.



FPP3

- 1 Electropolished, easy to clean construction, no bacteria traps and no small clearances in order to clean the area around the O-ring
- 2 Fully machined stainless steel, extremely smooth
- 3 Large seal cavity to clean mechanical seal properly
- 4 Monobloc execution with std. IEC motor with angular contact bearing.
- 5 Standardized mechanical seals to EN 12756
FDA approved sterile O-ring seals
(spring not in contact with the liquid)
- 6 One seal diameter: Ø 43 mm



Your benefits

- Suitable for system pressure applications up to 40 bar
- High pump efficiency resulting in lower energy consumption
- Low NPSH values: less risk on cavitation
- Electropolished: easy to clean
- Easy construction and easy maintenance: less downtime
- Standard components
- Easy to install
- 1 mechanical seal diameter for the entire range




Application areas

The Packo high pressure pumps of the FPP3 series are used primarily in the reverse osmosis (RO) applications for the filtration of, for example, contaminated CIP-water, whey, etc. They are also used as a booster pump in a variety of skids.

You will find them in just about all industries including the dairy industry, breweries, beverage industry as well as in water treatment industry.

Pump series

FPP3

Performance	
max. flow rate	350 m ³ /h
max. differential head	70 m
max. inlet pressure	max. 40 bar
max. liquid viscosity	1000 cP
max. temperature	140°C
impeller type	closed
max. free passage	17 mm
max. motor power	45 kW
max. speed	3000/3600 rpm
available frequency	50/60 Hz
Technical specifications	
materials wetted parts	stainless steel 316L or similar
mechanical seal configuration	single balanced, quench, double
available material O-ring	EPDM, FKM, FFKM
connections	Tri-Clamp connections
surface finish	hygienic quality, internal welds hand polished + electropolished
certificates & legislation	  

Performance curves at 2900 rpm

FPP3

