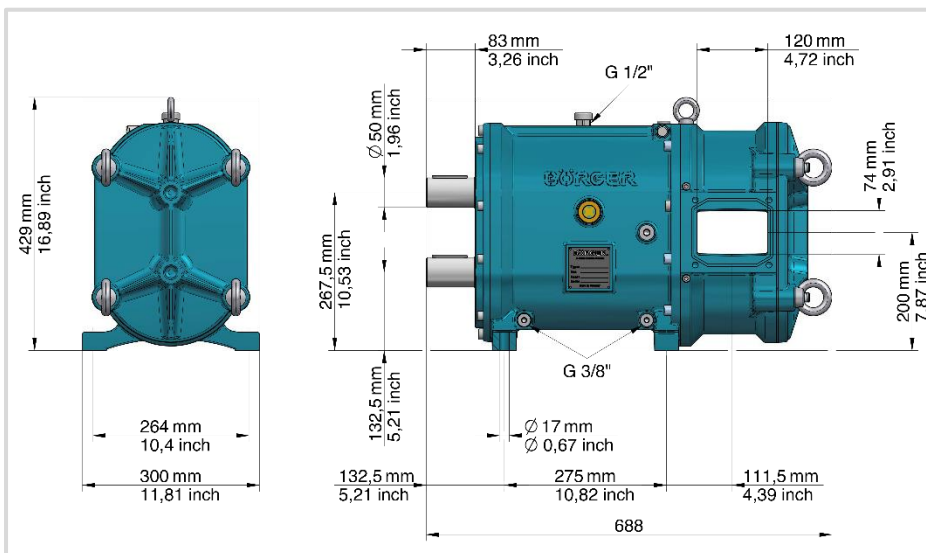


PN 100
PN 160

Vægt | Weight
103 kg (227 lbs)

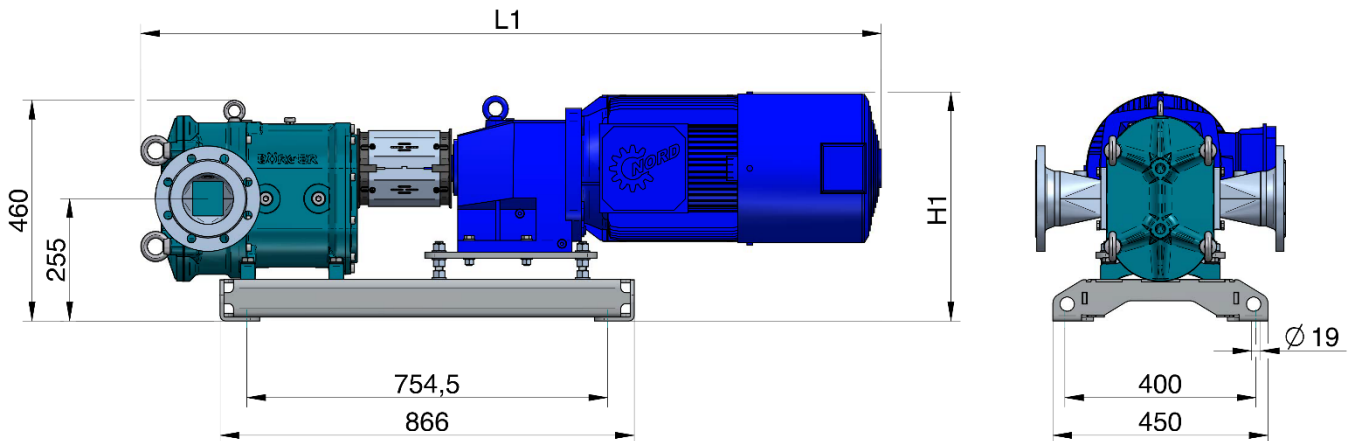


QN 230
QN 300

Vægt | Weight
190 kg (419 lbs)

Produktions relaterede afvigelser kan ikke udelukkes.
Ordrespecifikke målskitser/tegninger fremsendes efter ønske.

Production-related deviations in individual dimensions within an acceptable tolerance cannot be ruled out.
Requests for dimensions regarding a specific order are welcome.

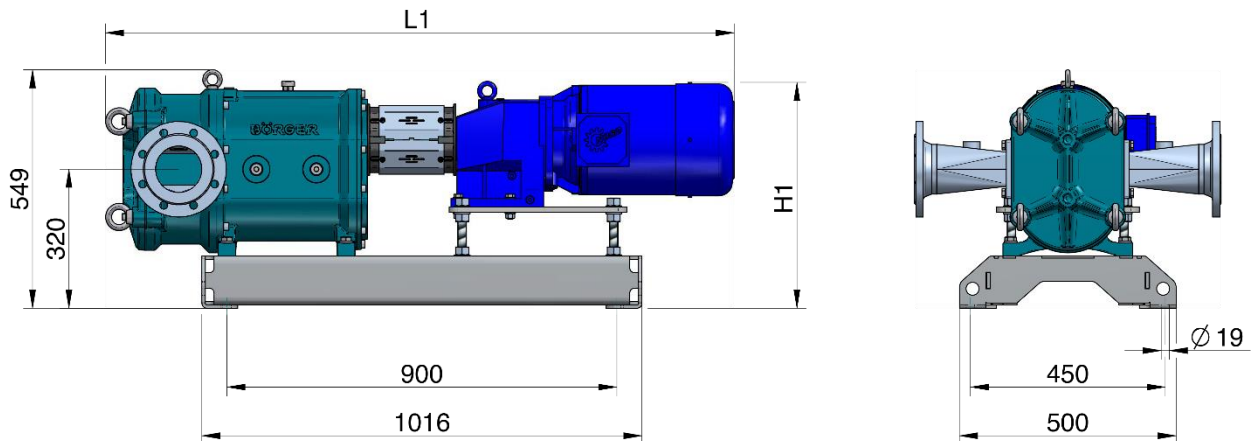


Standard pumpeenhed, i mm / inches
Standard unit, in mm / inches

Drivenhed Drive		PN 100 / PN 160						
		Vægt Weight		Dimensioner Dimensions				
[kw]	[hp]	[kg]	[lbs]	L1		H1		
				[mm]	[inches]	[mm]	[inches]	
1,1	1,48	182,8	403,00	1.077	42,40	410	16,14	
2,2	2,95	185,8	410,00	1.107	43,58	419	16,49	
3,0	4,02	202,3	446,00	1.154	45,43	419	16,49	
4,0	5,36	210,9	465,00	1.201	47,28	430	16,92	
5,5	7,38	230,7	508,60	1.261	49,64	450	17,71	
7,5	10,06	267,8	590,40	1.322	52,05	450	17,71	
9,2	12,34	267,8	590,40	1.322	52,05	450	17,71	
11,0	14,75	298,8	658,74	1.398	55,04	478	18,82	
15,0	20,12	312,8	689,60	1.398	55,04	478	18,82	

Produktions relaterede afvigelser kan ikke udelukkes.
Ordrespecifikke målskitser/tegninger fremsendes efter ønske.

Production-related deviations in individual dimensions within an acceptable tolerance cannot be ruled out.
Requests for dimensions regarding a specific order are welcome.

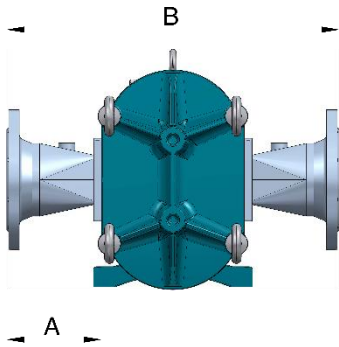


Standard pumpeenhed, i mm / inches
Standard unit, in mm / inches

Drivenhed Drive		QN 230 / QN 300						
		Vægt Weight		Dimensioner Dimensions				
[kw]	[hp]	[kg]	[lbs]	[mm]	L1	[mm]	H1	
				[mm]	[inches]	[mm]	[inches]	
3,0	4,02	321,5	708,79	1.284	50,55	488	19,21	
4,0	5,36	324,5	715,40	1.362	53,62	500	19,69	
5,5	7,38	374,5	825,63	1.484	58,43	520	20,47	
7,5	10,06	366,1	807,11	1.452	57,17	520	20,47	
9,2	12,34	381,5	841,06	1.484	58,43	520	20,47	
11,0	14,75	412,0	908,31	1.560	61,42	547	21,54	
15,0	20,12	449,8	991,64	1.604	63,15	547	21,54	
18,5	24,81	456,5	1.006,41	1.704	67,09	562	22,13	

Produktions relaterede afvigelser kan ikke udelukkes.
Ordrespecifikke målskitser/tegninger fremsendes efter ønske.

Production-related deviations in individual dimensions within an acceptable tolerance cannot be ruled out.
Requests for dimensions regarding a specific order are welcome.



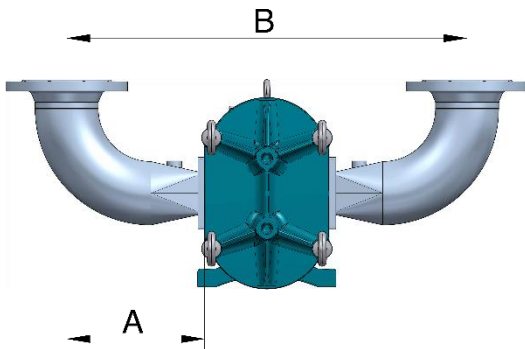
Design 1 Korte lige rørforbindelse med tilslutningsflange og O-ringstætning, i mm / tommer
Design 1 Short, straight pipe connectors with connection flange and O-ring seal, in mm / inches

Pumpestørrelse		PN 100 / PN 160							
Nom. Dim. [DN]	Dimension [in]	DIN				ANSI			
		[mm]	A [inches]	B [mm]	B [inches]	[mm]	A [inches]	B [mm]	B [inches]
40	1 1/2"	190	7,48	605	23,81	207	8,14	639	25,15
50	2"	169	6,65	563	22,16	188	7,40	601	23,66
65	2 1/2"	189	7,44	603	23,74	214	8,42	653	25,70
80	3"	169	6,65	563	22,16	188	7,40	601	23,66
100	4"	149	5,86	523	20,59	173	6,81	571	22,48
125	5"	165	6,49	555	21,85	198	7,79	621	24,44
150	6"	194	7,63	613	24,13	228	8,97	681	26,81
200	8"	264	10,39	753	29,64	304	11,96	833	32,79
250	10"	264	10,39	753	29,64	298	11,73	821	32,32

Pumpestørrelse		QN 230 / QN 300							
Nom. Dim. [DN]	Dimension [in]	DIN				ANSI			
		[mm]	A [inches]	B [mm]	B [inches]	[mm]	A [inches]	B [mm]	B [inches]
100	4"	224	8,82	708	27,87	248	9,76	756	29,76
125	5"	227	8,93	714	28,11	261	10,28	782	30,79
150	6"	227	8,93	714	28,11	261	10,28	782	30,79
200	8"	304	11,96	868	34,17	344	13,54	948	37,32
250	10"	310	12,20	880	34,65	344	13,54	948	37,32

Produktions relaterede afvigelser kan ikke udelukkes.
Ordrespecifikke målskitser/tegninger fremsendes efter ønske.

*Production-related deviations in individual dimensions within an acceptable tolerance cannot be ruled out.
Requests for dimensions regarding a specific order are welcome.*



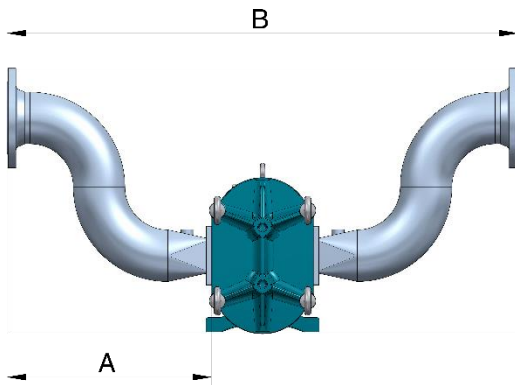
Design 2 90° bøjning op, i mm / tommer
Design 2 90° elbow up, in mm / inches

Pumpestørrelse		PN 100 / PN 160							
Nom. Dim. [DN]	Dimension [in]	DIN				ANSI			
		[mm]	A [inches]	[mm]	B [inches]	[mm]	A [inches]	[mm]	B [inches]
40	1 1/2"	202	7,95	629	24,76	202	7,95	629	24,76
50	2"	200	7,87	625	24,60	200	7,87	625	24,60
65	2 1/2"	239	9,40	703	27,67	239	9,40	703	27,67
80	3"	233	9,17	691	27,20	233	9,17	691	27,20
100	4"	250	9,84	725	28,54	250	9,84	725	28,54
125	5"	299	11,77	823	32,40	299	11,77	823	32,40
150	6"	368	14,48	961	37,83	368	14,48	961	37,83
200	8"	494	19,44	1.213	47,75	507	19,96	1.239	48,77
250	10"	577	22,71	1.379	54,29	577	22,71	1.379	54,29

Pumpestørrelse		QN 230 / QN 300							
Nom. Dim. [DN]	Dimension [in]	DIN				ANSI			
		[mm]	A [inches]	[mm]	B [inches]	[mm]	A [inches]	[mm]	B [inches]
100	4"	324	12,75	908	35,75	324	12,75	908	35,75
125	5"	362	14,25	984	38,74	362	14,25	984	38,74
150	6"	401	15,79	1.062	41,81	401	15,79	1.062	41,81
200	8"	547	21,54	1.354	53,31	547	21,54	1.354	53,31
250	10"	623	24,53	1.506	59,29	623	24,53	1.506	59,29

Produktions relaterede afvigelser kan ikke udelukkes.
Ordrespecifikke målskitser/tegninger fremsendes efter ønske.

Production-related deviations in individual dimensions within an acceptable tolerance cannot be ruled out.
Requests for dimensions regarding a specific order are welcome.



Design 6 Svanehals version, i mm / tommer
Design 6 Gooseneck version, in mm / inches

Pumpestørrelse		PN 100 / PN 160							
Nom. Dim. [DN]	Dimension [in]	DIN				ANSI			
		A		B		A		B	
		[mm]	[inches]	[mm]	[inches]	[mm]	[inches]	[mm]	[inches]
40	1 1/2"	304	11,96	833	32,79	321	12,64	867	34,13
50	2"	321	12,63	867	34,13	340	13,39	905	35,63
65	2 1/2"	379	14,92	983	38,70	404	15,91	1.033	40,67
80	3"	397	15,62	1.019	40,11	417	16,42	1.059	41,69
100	4"	453	17,83	1.131	44,52	477	18,78	1.179	46,42
125	5"	544	21,41	1.313	51,69	578	22,76	1.381	54,37
150	6"	652	25,66	1.529	60,19	686	27,00	1.597	62,87
200	8"	873	34,37	1.971	77,59	914	35,98	2.053	80,83
250	10"	1.027	40,43	2.279	89,72	1.060	41,73	2.345	92,32

Pumpestørrelse		QN 230 / QN 300							
Nom. Dim. [DN]	Dimension [in]	DIN				ANSI			
		A		B		A		B	
		[mm]	[inches]	[mm]	[inches]	[mm]	[inches]	[mm]	[inches]
100	4"	528	20,79	1.316	51,81	552	21,73	1.364	53,70
125	5"	607	23,90	1.474	58,03	641	25,24	1.542	60,71
150	6"	685	26,97	1.630	64,17	685	26,97	1.630	64,17
200	8"	914	35,98	2.088	82,20	954	37,56	2.168	85,35
250	10"	1.072	42,20	2.404	94,64	1.106	43,54	2.472	97,32

Produktions relaterede afvigelser kan ikke udelukkes.
Ordrespecifikke målskitser/tegninger fremsendes efter ønske.

Production-related deviations in individual dimensions within an acceptable tolerance cannot be ruled out.
Requests for dimensions regarding a specific order are welcome.