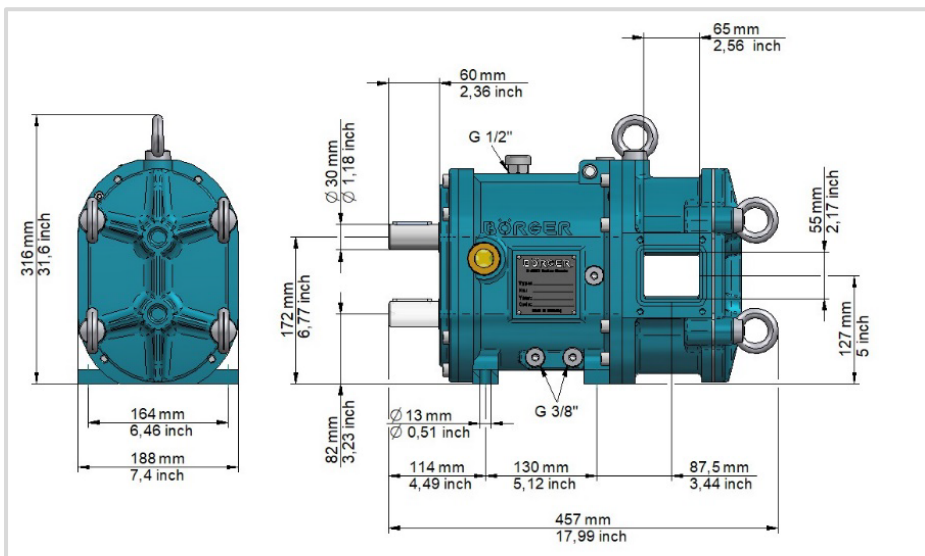


AN 040

NO



AN 070

NO

Produktions relaterede afvigelser kan ikke udelukkes.
Ordrespecifikke målskitser/tegninger fremsendes efter ønske.

*Production-related deviations in individual dimensions within an acceptable tolerance cannot be ruled out.
Requests for dimensions regarding a specific order are welcome.*