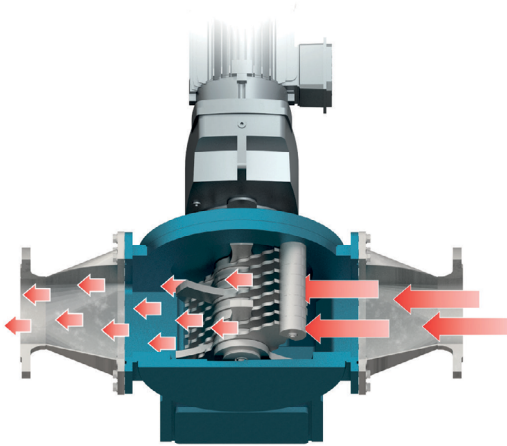


ROTORRAKE



ROBUST SINGLE-SHAFT COARSE MACERATOR ROTORRAKE

The Rotorrake tackles macerating tasks where others have failed – for macerating very coarse solids and rags. Depending on the application, the single-shaft macerator is available with or without foreign body separator.



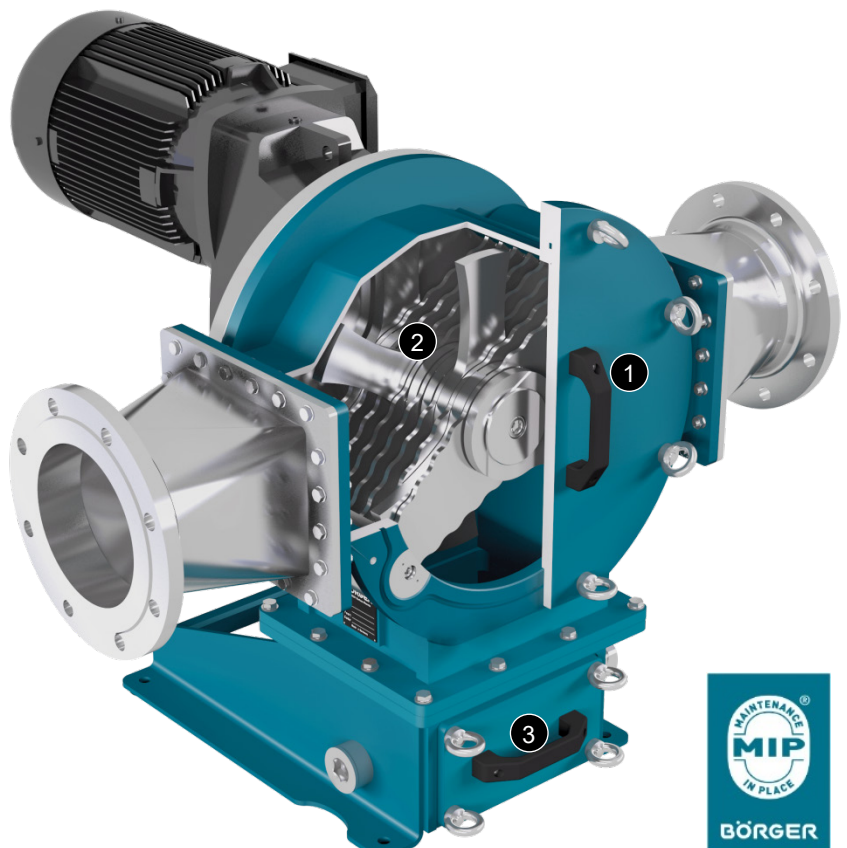
OPERATING PRINCIPLE

The solids containing liquids flow through the stationary counter blades which are arranged at an angle. The solids are captured by the counter blades and shredded by the cutting action of the rotating blades. The reduced solids then continue to flow suspended in the liquid.

| Rotorrake | Max. flow rate | Standard version max. pressure | Reinforced version max. pressure |
|-----------|----------------------------------|--------------------------------|----------------------------------|
| RR 6000 | 360 m ³ /h (1586 gpm) | 2 bar (29 psi) | 5 bar (72,5 psi) |
| RR 9000 | 540 m ³ /h (2379 gpm) | 2 bar (29 psi) | 5 bar (72,5 psi) |

CONSTRUCTION AND FUNCTION

- 1 The quick-release cover**
Access to all wetted parts through the quick-release cover – maintenance without removal of pipe or drive systems (MIP).
- 2 The blades and counter blades**
Blades and counter blades are assembled alternately on the carrier shaft. The blades are moved by the rotating shaft. The stationary counter blades are locked into the casing.
- 3 The foreign body separator**
Solids that cannot be macerated are collected in the foreign body separator (with drainage device at the side).

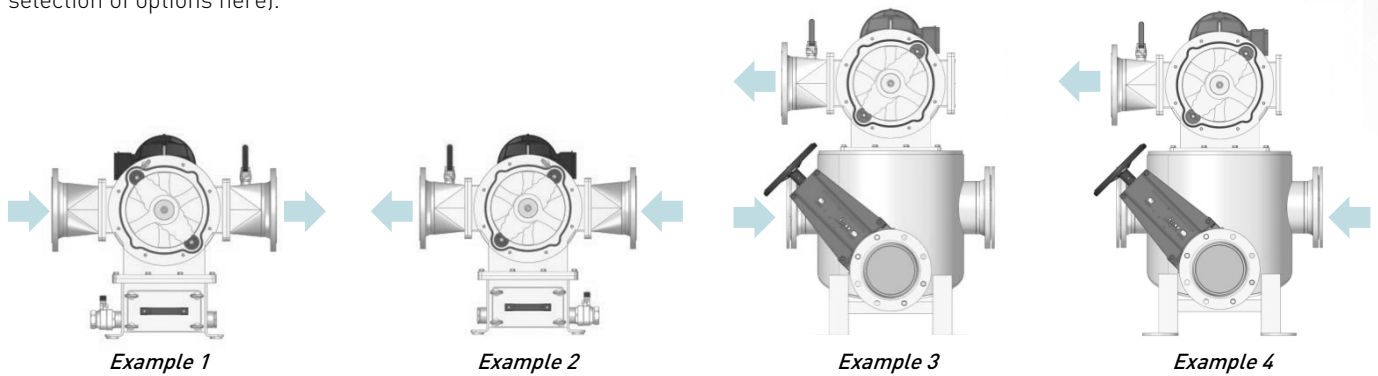


ROTORRAKE AT A GLANCE

- + Effective coarse macerator
- + High resistance to wear due to no-contact arrangement of blades and counter blades
- + Blades and counter blades can be turned round to use on both sides
- + Available in stainless steel
- + Various drive options
- + Energy efficient

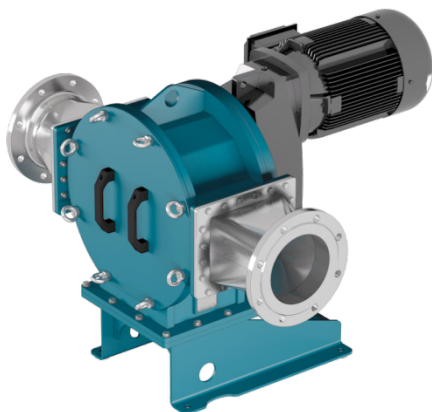
FLEXIBLE INSTALLATION

The Rotorrake offers high flexibility for the installation. The flow direction can be changed subsequently (please find a small selection of options here).

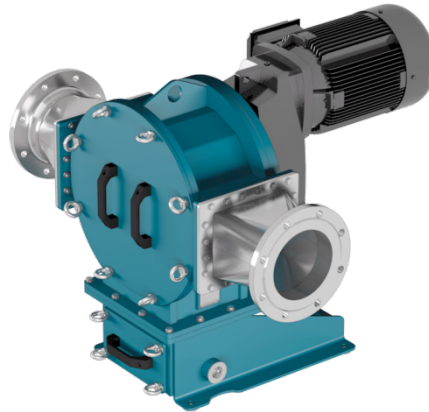


WITH OR WITHOUT FOREIGN BODY SEPARATOR

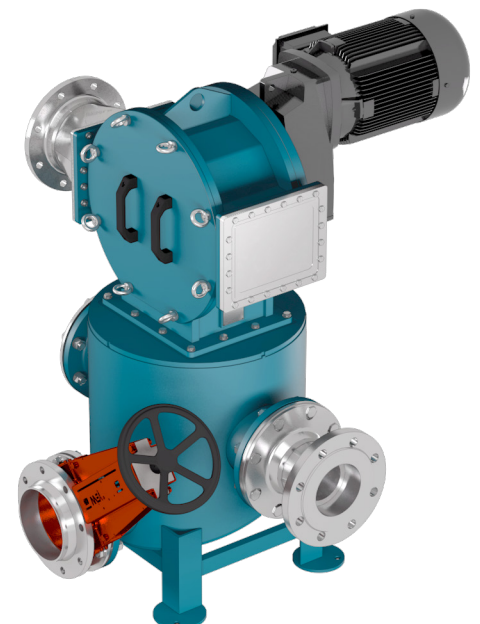
Depending on the application, the Rotorrake is installed with or without foreign body separator (16 l or 150 l). When operating conditions change, the foreign body separator can be retrofitted, replaced or removed.



Rotorrake pure
Without foreign body separator



Rotorrake plus 16
With 16 l foreign body separator



Rotorrake plus 150
With 150 l foreign body separator



Börger GmbH
46325 Borken-Weseke, Germany
Phone +49 2862 9103-0
info@boerger.de

Börger Benelux
Ootmarsum, Netherlands
info@boerger-pumps.nl

Börger France S.A.R.L.
Wittersheim, France
info@borger.fr

Boerger Polska Sp. z o.o.
Gliwice, Poland
info@boerger.pl

Börger UK Limited
Staffordshire, England
uk@boerger.com

Boerger, LLC
Chanhassen, MN, USA
america@boerger.com

Boerger, LLC
Concepción, Chile
america@boerger.com

Boerger Pumps (Shanghai) Co. Ltd.
Pudong, Shanghai, China
shanghai@boerger.com

Boerger Pumps Asia Pte Ltd
Singapore
asia@boerger.com

Boerger Pumps Asia Pte Ltd
Gurgaon, Haryana, India
india@boerger.com