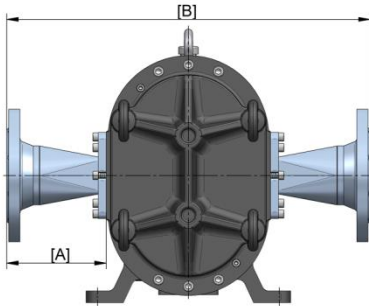


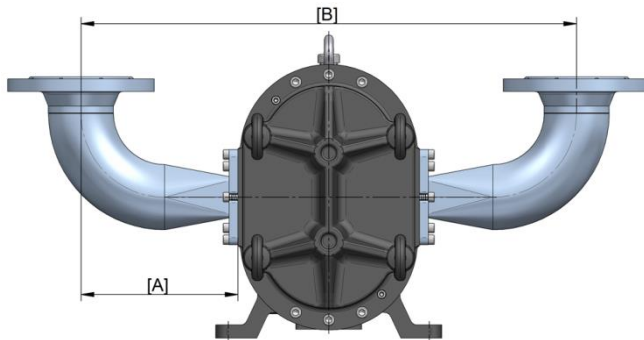
Production-related deviations in individual dimensions within an acceptable tolerance cannot be ruled out. Requests for dimensions regarding a specific order are welcome.



Design 1 | Short. straight pipe connectors with connection flange and O-ring seal. in mm / inches (approx.)

Nominal diameter:	Standard: Dimension:	Size							
		BJ 090				BJ 140			
		DIN/DIN EN		ANSI/ASME		DIN/DIN EN		ANSI/ASME	
A	B	A	B	A	B	A	B		
DN 50	mm	150	548	175	586	—	—	—	—
2"	inch	5.91	21.57	6.89	23.07	—	—	—	—
DN 65	mm	150	548	175	598	150	548	175	598
2½"	inch	5.91	21.57	6.89	23.54	5.91	21.57	6.89	23.54
DN 80	mm	150	548	170	588	150	548	170	588
3"	inch	5.91	21.57	6.69	23.15	5.91	21.57	6.69	23.15
DN 100	mm	150	548	174	596	150	548	174	596
4"	inch	5.91	21.57	6.85	23.46	5.91	21.57	6.85	23.46
DN 125	mm	200	648	234	716	200	648	234	716
5"	inch	7.87	25.51	9.21	28.19	7.87	25.51	9.21	28.19
DN 150	mm	200	648	234	716	200	648	234	716
6"	inch	7.87	25.51	9.21	28.19	7.87	25.51	9.21	28.19

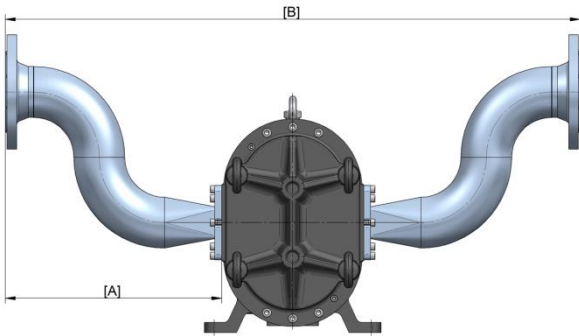
Production-related deviations in individual dimensions within an acceptable tolerance cannot be ruled out. Requests for dimensions regarding a specific order are welcome.



Design 2 | 90° elbow up in mm / inches (approx.)

Nominal diameter:	Standard: Dimension:	Size							
		BJ 090				BJ 140			
		DIN/DIN EN		ANSI/ASME		DIN/DIN EN		ANSI/ASME	
		A	B	A	B	A	B	A	B
DN 65	mm	200	648	200	648	200	648	200	648
2½"	inch	7.87	25.51	7.87	25.51	7.87	25.51	7.87	25.51
DN 80	mm	214	676	214	676	214	676	214	676
3"	inch	8.43	26.61	8.43	26.61	8.43	26.61	8.43	26.61
DN 100	mm	251	648	251	750	251	648	251	750
4"	inch	9.88	25.51	9.88	29.53	9.88	25.51	9.88	29.53
DN 125	mm	335	918	335	918	335	918	335	918
5"	inch	13.19	36.14	13.19	36.14	13.19	36.14	13.19	36.14
DN 150	mm	374	996	374	996	374	996	374	996
6"	inch	14.72	39.21	14.72	39.21	14.72	39.21	14.72	39.21

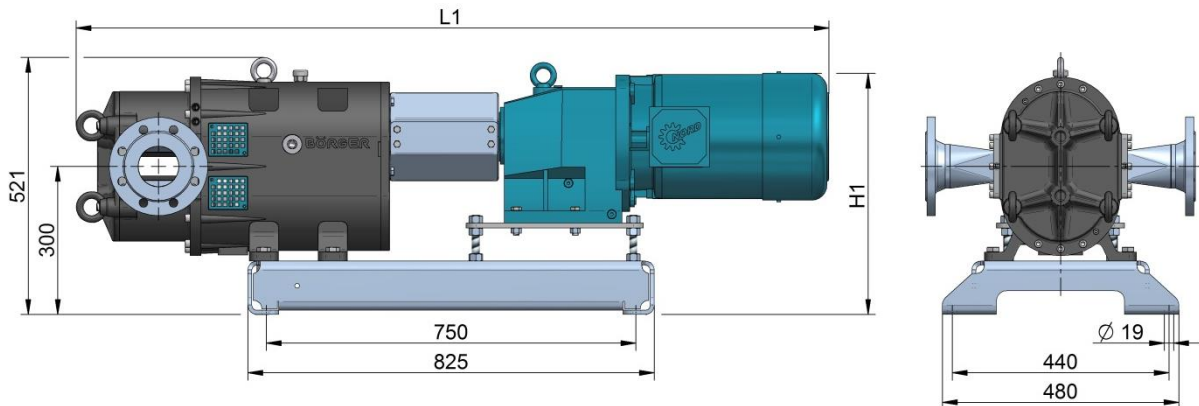
Production-related deviations in individual dimensions within an acceptable tolerance cannot be ruled out. Requests for dimensions regarding a specific order are welcome.



Design 6 | Gooseneck version in mm / inches (approx.)

Nominal diameter:	Standard: Dimension:	Size							
		BJ 090				BJ 140			
		DIN/DIN EN		ANSI/ASME		DIN/DIN EN		ANSI/ASME	
		A	B	A	B	A	B	A	B
DN 65	mm	340	928	365	978	340	928	365	978
2½"	inch	13.39	36.54	14.37	38.50	13.39	36.54	14.37	38.50
DN 80	mm	378	1,004	398	1,044	378	1,004	398	1,044
3"	inch	14.88	39.53	15.67	41.10	14.88	39.53	15.67	41.10
DN 100	mm	454	928	478	1,204	454	928	478	1,204
4"	inch	17.87	36.54	18.82	47.40	17.87	36.54	18.82	47.40
DN 125	mm	580	1,408	615	1,478	581	1,410	615	1,478
5"	inch	22.83	55.43	24.21	58.19	22.87	55.51	24.21	58.19
DN 150	mm	658	1,564	692	1,632	658	1,564	692	1,632
6"	inch	25.91	61.57	27.24	64.25	25.91	61.57	27.24	64.25

Production-related deviations in individual dimensions within an acceptable tolerance cannot be ruled out. Requests for dimensions regarding a specific order are welcome.



Standard unit in mm / inches (approx.)

Drive	Size					
	Weight	BJ 090		Weight	BJ 140	
		Dimensions			Dimensions	
		L1	H1		L1	H1
2.2 kW 3 HP	approx. 300 kg approx. 661 lbs	1,355 mm 53.35 inch	460 mm 18.11 inch	—	—	—
3 kW 4 HP	approx. 335 kg approx. 739 lbs	1,355 mm 53.35 inch	460 mm 18.11 inch	—	—	—
4 kW 5 HP	approx. 345 kg approx. 761 lbs	1,400 mm 55.12 inch	470 mm 18.50 inch	approx. 355 kg approx. 783 lbs	1,440 mm 56.69 inch	470 mm 18.50 inch
5.5 kW 7.5 HP	approx. 350 kg approx. 772 lbs	1,490 mm 58.66 inch	490 mm 19.29 inch	approx. 360 kg approx. 794 lbs	1,530 mm 60.24 inch	490 mm 19.29 inch
7.5 kW 10 HP	approx. 355 kg approx. 783 lbs	1,500 mm 59.06 inch	490 mm 19.29 inch	approx. 365 kg approx. 805 lbs	1,540 mm 60.63 inch	490 mm 19.29 inch
9.2 kW 15 HP	approx. 360 kg approx. 794 lbs	1,505 mm 59.25 inch	490 mm 19.29 inch	approx. 370 kg approx. 816 lbs	1,545 mm 60.83 inch	490 mm 19.29 inch
11 kW 15 HP	approx. 395 kg approx. 871 lbs	1,565 mm 61.61 inch	515 mm 20.28 inch	approx. 405 kg approx. 893 lbs	1,605 mm 63.19 inch	515 mm 20.28 inch
15 kW 20 HP	— —	— —	— —	approx. 430 kg approx. 948 lbs	1,610 mm 63.39 inch	515 mm 20.28 inch

Production-related deviations in individual dimensions within an acceptable tolerance cannot be ruled out.
Requests for dimensions regarding a specific order are welcome.