

Verderflex

VP Pro PH-RX tube dosing pump

VERDERFLEX®



Description

Advanced digital proportional dosing pump system with an LCD display suitable for pH/Redox control.

Features

- Digital peristaltic pump with built in pH/Redox controller
- pH or mV (Redox) control selectable by software
- 3 Function modes: Constant, ON/OFF, proportional
- Programmable overdose timer alarm
- Start up delay
- LED and LCD display: status and programming
- IP 55 protection
- Over and under range alarm
- Instant flow rate % visualization
- 230 VAC
- Including SCHUKO plug
- Flow switch input
- On/off switch

Optional

- Level probe input
- Flow switch input

Materials

	Standard material	Optional
Pump body	PP	-
Roller	DELTRIN	-
Tube	Santoprene	-
Power consumption	8 Watt	-
Nuts	PP M10	-
Fittings	PP tube 4 x 6	-
Probe connection	BNC	-
Foot filter	Lip valve	Ball valve
Suction tube	PVC 4 x 6	PVDF
Delivery tube	PE 4 x 6	PVDF

Technical data

	Max l/h	Pressure bar	Max cc	Max operating temperature °C	Ø int x ext mm	Pump body material	Power c Watt	rpm	Weight kg
1.5-01	1.5	1	25	65	5.8 x 9.3	PP	8	10	1.8
03-01	3	1	50	65	5.8 x 9.3	PP	8	20	1.8
06-01	6	1	100	65	5.8 x 9.3	PP	8	40	1.8

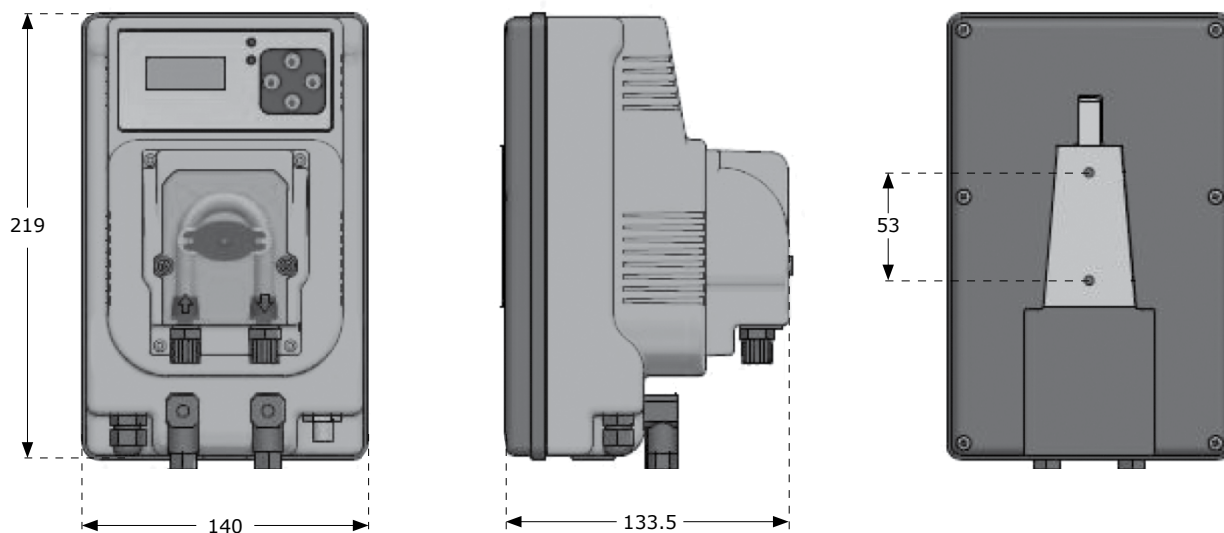
Verderflex

VP Pro PH-RX tube dosing pump

VERDERFLEX®

Dimensions

(in mm)



Standard installation kit

1/2" PP-VL-VT Talco Lip	Foot Filter PP-VL-VT	Suction tube 2 m PVC 4x6	Delivery tube 2 m PE 4x6

Additional pH installation kit

pH probe 5 m cable epoxy body	Buffer solutions pH 7.00 - pH 9.00	Nr. 2 saddle clamps d.50 att. 1/2"	1/2" PP probe holder

flex_VP-PRO-pH-Rx_2015_rev1_UK-(uk)



Find your local supplier
at www.verderdos.com

For construction, installation and mounting drawings
please contact your local authorised Verderdos distributor.

VERDER
passion for pumps