

Verderflex

VP Dual pH-Chlorine double peristaltic system

VERDERFLEX®

Description

Advanced digital proportional dosing pump system with an LCD display suitable for pH/Chlorine control. With PPM real time display of Chlorine concentration.

Features

- Double system with built in pH Chlorine and T° controller
- Flow rate display in percentage
- 3 different functioning mode: constant, ON / OFF, proportional
- Menu available in 4 languages: ITALIAN, ENGLISH, FRANCE, SPANISH
- Password protected
- Start up delay
- Time overdose alarm
- Default parameter restore option
- pH Stability mode (settable)
- STAND BY modality
- Over / under range signal
- Backlit LCD
- PP reinforced case
- IP 65
- 230vac 50-60 Hz standard power supply
- Level probe input
- Flow sensor input
- ON / OFF switch
- Alarm relay (free contact)



Materials

	Standard material	Optional
Case	PP reinforced with fiberglass	-
Rollers	DELRIN	-
Tube	Santopren	-
Power consumption	8 Watts	-
Nuts	PP M10	-
Fittings	PP 4 x 6	-
Probe connection	BNC	-
Foot filter valve	Lip Valve	-
Suction tube	PVC 4 x 6	-
Delivery tube	PE 4 x 6	-

Technical data

Standard	Flow max l/h	Pressure bar	Max cc / min	Santoprene tube	Case	Power c Watt	rpm	Weight kg
PH Pump	1.5	1	65	25	Santoprene	19	10	8
Chlorine pump	3 6	1	50 100	5,8 x 9,3	PP	19	20 40	3.6

Verderflex

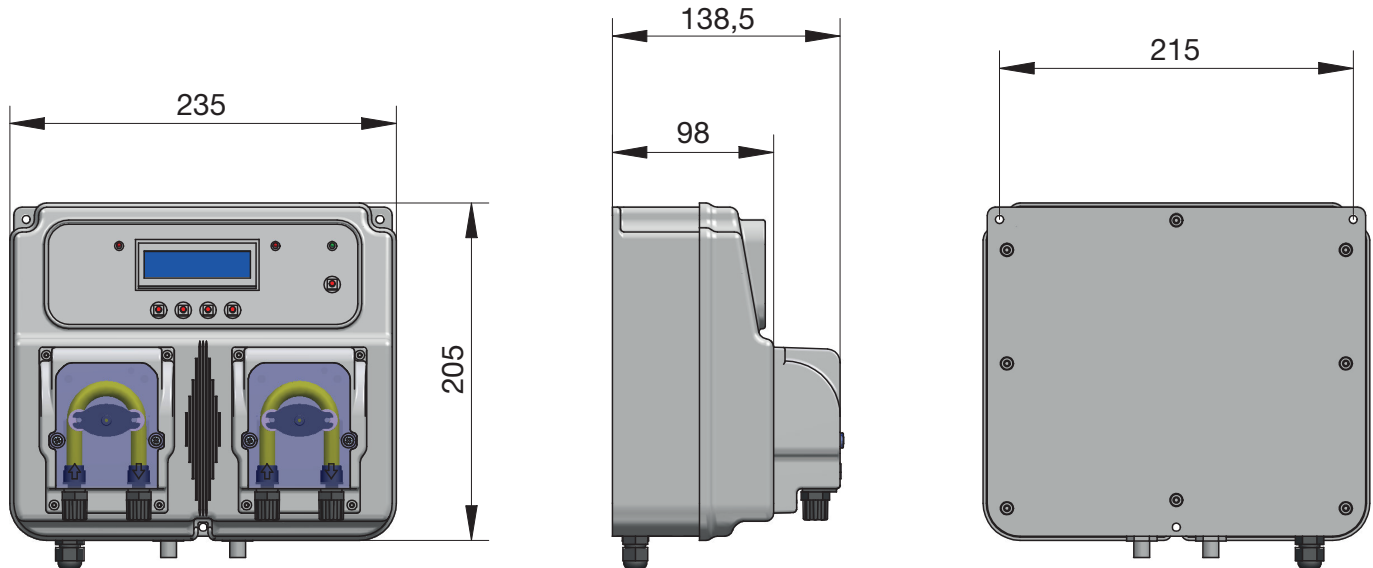
VP Dual pH-Chlorine double peristaltic system



VERDERFLEX®

Dimensions

(in mm)



Standard installation kit

1/2" PP-VL-VT Lip	Foot Filter PP-VL-VT	Suction tube 2 m PVC 4x6	Delivery tube 2 m PE 4x6

flex_VP-Dual-pH-Chlorine_2016_rev1_UK-(uk)



Find your local supplier
at www.verderflex.com

For construction, installation and mounting drawings
please contact your local authorised Verderdos distributor.

VERDER
passion for pumps