

Verderflex

VP2-PH peristaltic tube pump



VERDERFLEX®

Description

Proportional peristaltic tube pump for pH control. Digital peristaltic pump with built in pH controller.

Features

- Instant display of pH value
- Automatic detection of probe efficiency
- Suitable for the dosage of pH + and pH - chemicals (acid and basic) selectable by software
- Programming over the entire range of pH 0-14
- Proportionality range definition
- Definition of the pulses numbers inside the proportionality range
- Easy to maintain
- PP Pump casing
- Manual bleed
- IP 55 protection
- Including SCHUKO Plug
- Probe connection input: BNC
- On/off switch

Optional

- Overdose alarm
- Level probe input instead of overdose alarm

Technical data

	Max l/h	Pressure bar	Max cc	Max operating temperature °C	Tubing material	Tube ø mm	Pump body material	Power c Watt	rpm	Weight kg
04-01	4	1	66.67	65	Santoprene	5.8 x 9.4	PP	35	30	1

Standard installation kit

1/2" PP-VL-VT Talco Lip	Foot Filter PP-VL-VT	Suction tube 2 m PVC 4x6	Delivery tube 2 m PE 4x6

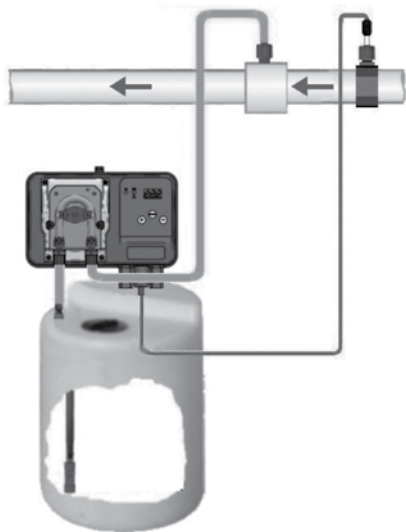
Additional pH installation kit

pH probe 5 m cable epoxy body	Buffer solutions pH 7.00 - pH 9.00	Nr. 2 saddle clamps d.50 att. 1/2"	1/2" PP probe holder

Verderflex

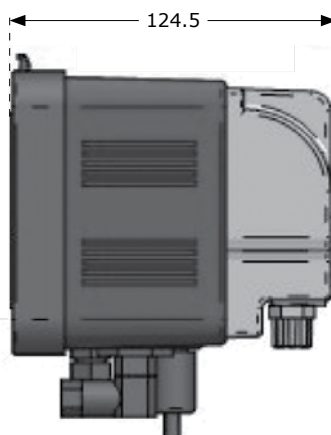
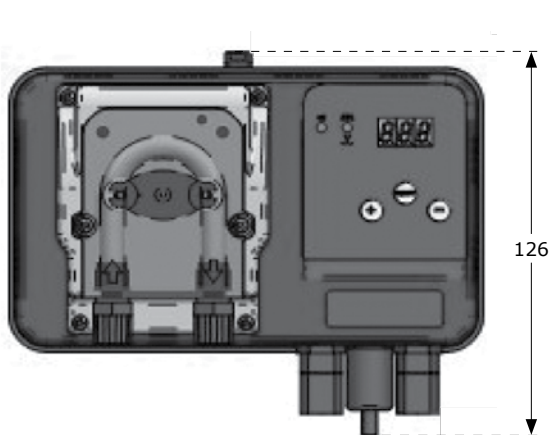
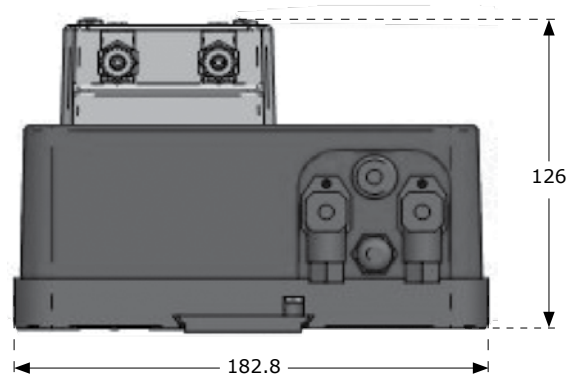
VP2-PH peristaltic tube pump

VERDERFLEX®



Dimensions

(in mm)



flex_VP2-ph_2015_rev1_UK-(uk)



Find your local supplier
at www.verderdos.com

For construction, installation and mounting drawings
please contact your local authorised Verderdos distributor.

VERDER
passion for pumps