

Description

The Verderflex iDura 5 is a complete “ready to use” Dura 5 hose pump with pump mounted inverter and standard hose burst protection.

The iDura 5 is a compact, industrial hose pump with superior secondary containment for dosing, metering, sampling and sump emptying in chemical and industrial processing complexes, food and beverage facilities and clean and wastewater treatment plants. The pump mounted inverter provides the flexibility of local pump control or automatic monitoring and control real time via external systems. The factory connected hose burst sensor will stop the pump unit on hose burst for enhanced plant operator’s peace of mind & the inverter’s local controls reduces ownership costs by speeding up the infrequent hose changes.

Pump Features

- Ideal for abrasive or high solid content slurries
- Self-Priming, problem free pumping of gaseous liquids
- Easily pumps viscous liquids
- Gentle low shear pumping action
- Dry running capabilities
- Long life hoses
- No seals or valves

iDura Features

- Variable speed control, between maximum and minimum flow rates
- Standard hose burst protection automatically stops the pump on a hose burst.
- Intuitive speed and directional controls with real-time monitoring of parameters using built-in display.
- Displays nominal flow rate¹
- Scalable 4-20mA speed control input as standard, MODBUS/CANBUS digital remote control optional ²

1 This is factory set to indicate nominal flow rate in l/hr.

2 Inverter will have to be programmed by the user to access this function, please refer to the manual.

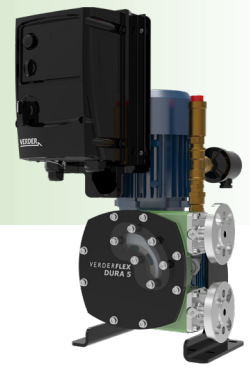
Technical Data

| | |
|---|--|
| Flow Rate Range | 2 - 22.5 l/h |
| Frequency Range | 5 - 58.3 Hz |
| Power Supply Rating | 200-240V AC 50-60Hz 1 Phase 380-480V AC 50-60Hz 3 Phase |
| Installed Motor Power | 0.55kW |
| Installed Inverter Power | 0.75kW |
| IP Ratings | IP 66/ NEMA 4X outdoor rating (inverter) IP55 (motor) |
| Maximum Discharge Pressure | 5 bar |
| Maximum Suction Lift | 9.5 mwc |
| Hose ID | 5 mm |
| Maximum Medium Temperature ³ | 80°C |
| Maximum Incompressible Solid Size | 0.55 mm |
| Maximum Compressible Solid Size | 1.25 mm |
| Ambient Temperature ⁴ | -5 to +40°C |

3 Continuous use with NR hose.

4 Continuous operation at the specified maximum discharge pressure, in an ambient temperature of -5 to +40°C.





Materials

| Description | Material | Paint Detail |
|----------------|---|---------------------|
| Pump Housing | Cast Iron (GG25) | Green Powder Coated |
| Front Cover | Carbon Steel with Plexiglass Inspection Window | Powder Coated |
| Rotor | Cast Iron (GG25) | |
| Drive Shaft | EN24T Steel | |
| Port Flange | 316 Stainless Steel Universal slotted design fits with DIN PN16, ANSI 150# & JIS10K Options: 316 Stainless Steel with Polypropylene or P.V.D.F Insert ⁵ | |
| Inverter | Chassis materials aluminium and polymer (electrical and electronic equipment) | |
| Hose Burst Kit | Brass | |
| Mounting Frame | Carbon Steel | Powder Coated |
| Gearbox Flange | Aluminium | |
| Bearing | Steel | |
| Shaft Seal | Viton | |
| Lubricant | Verderlube - Glycerine based lubricant ⁶ Verdersil - Silicone based lubricant ⁷ | |
| Hose | Natural Rubber (NR) Options: Nitrile Buna Rubber (NBR) and Hypalon® (CSM) | |
| Weight | Complete pump including motor, gearbox and inverter: ~25.5 kg | |

⁵ Temperature Limit for PP insert is 40°C and for PVDF insert is 80°C.

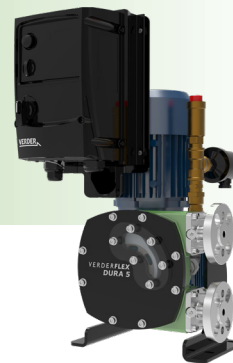
⁶ Temperature Limit for Verderlube is 50°C.

⁷ Suitable for application above 50°C, but subject to maximum temperature limit of the hose and applications involving strong oxidising agents and nitrogenous compounds.



Verderflex

iDura 5

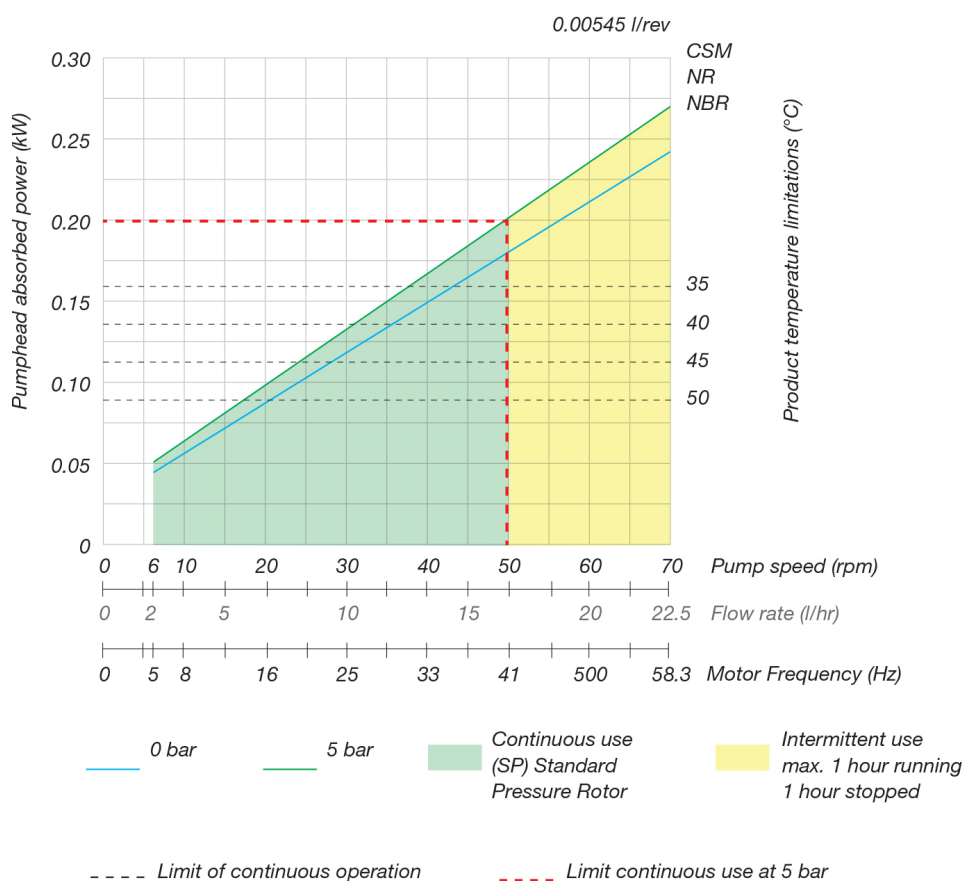


VERDERFLEX®

Performance Range

| Flow l/hr | Pump Speed RPM | Motor Frequency Hz |
|--------------|-------------------|-----------------------|
| 2 | 6 | 5 |
| 4 | 11 | 9.2 |
| 8 | 23 | 19.2 |
| 11 | 35 | 29.2 |
| 15 | 47 | 39.2 |
| 18 | 56 | 46.7 |
| 22.5 | 70 | 58.3 |

Performance Curve

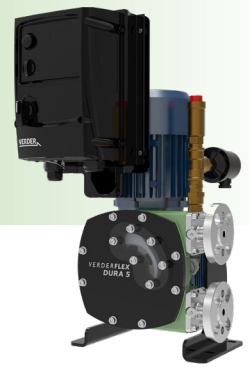


Actual flows will vary according to suction conditions, discharge pressure and normal component production tolerances.



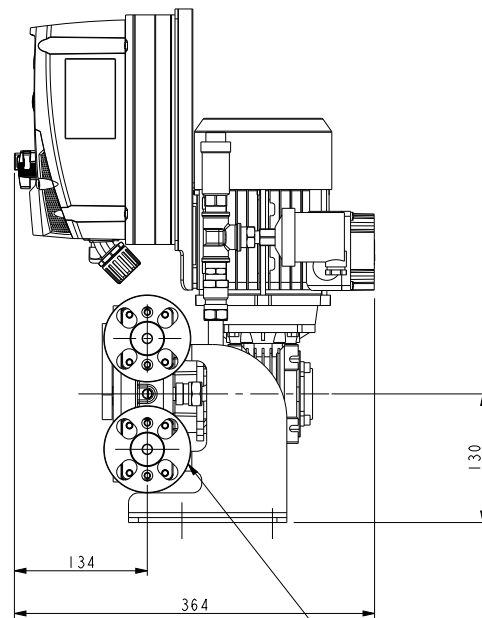
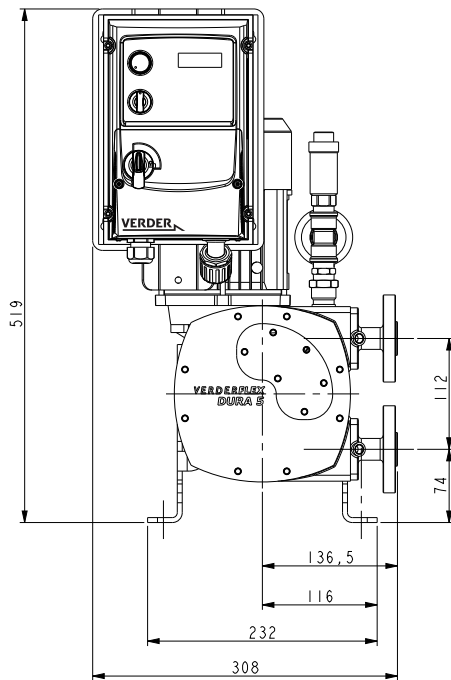
Verderflex

iDura 5

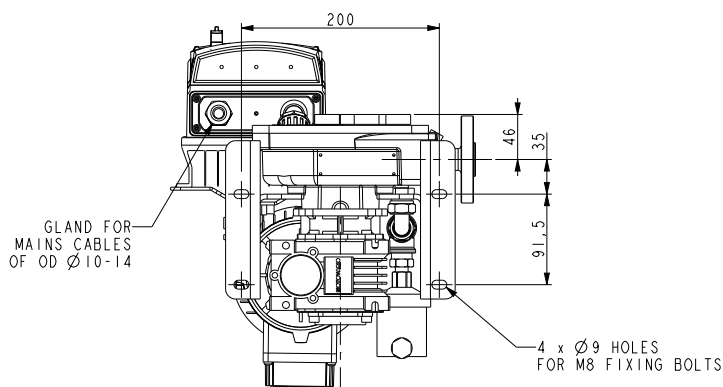


VERDERFLEX®

Dimensions



INLET / DISCHARGE
3/8" (10mm) FLANGE OPTIONS
DN10
PN16
ANSI 1501b
JIS 10K
PUMP CAN RUN IN
EITHER DIRECTION



All dimensions are in mm.

All dimensions are for guidance only.

Find your local supplier at www.verderflex.com

For construction, installation and floor mounting drawings please contact your local authorised Verderflex® distributor.

VERDER
passion for pumps

