

INSTRUCTIONS–PARTS LIST

CONDUCTIVE POLYPROPYLENE*, POLYPROPYLENE, AND PVDF

VERDERAIR VA 40

Air-Operated Diaphragm Pumps

819.4486

Rev. ZAE
EN

For fluid transfer applications. For professional use only.

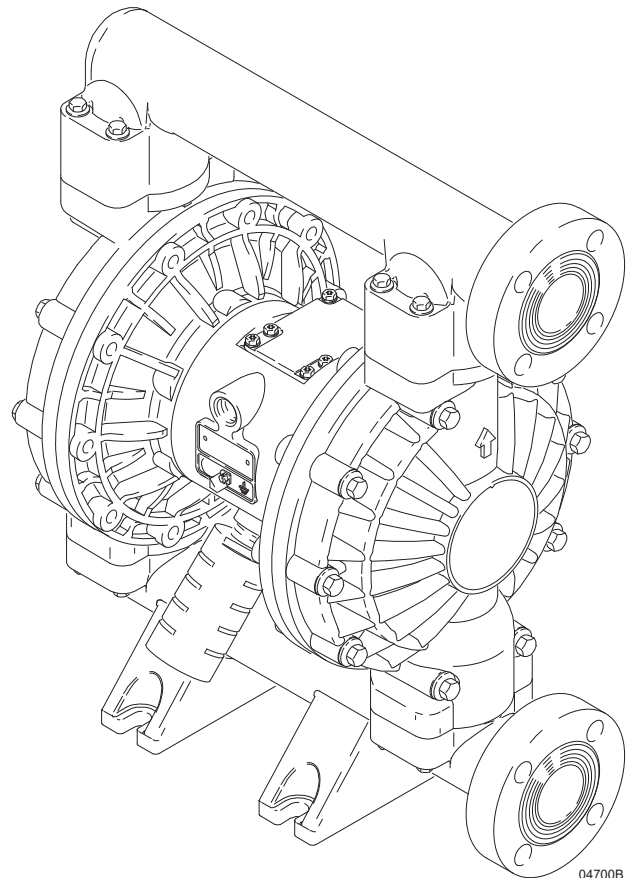
8.3 bar Maximum Fluid Working Pressure
8.3 bar Maximum Air Input Pressure



This manual contains important
warnings and information.
READ AND RETAIN FOR REFERENCE.

NOTE: Refer to the Pump Listing on page 26 to
determine the Model No. of your pump.

Patent No.
CN ZL94102643.4
FR 9408894
JA 3517270
US 5,368,452



II 2 GD c IIC T4

* Applies only to pumps with
conductive polypropylene fluid
sections.

Table of Contents

Symbols	4	Pump Listing	26
Installation	6	Repair Kit Listing	27
Operation	13	Parts	28
Maintenance	15	Torque Sequence	32
Troubleshooting	16	Dimensions	33
Service	18	Technical Data	35
Repairing the Air Valve	18	Performance Chart	36
Ball Check Valve Repair	20	Customer Services/Guarantee	37
Diaphragm Repair	21		
Bearing and Air Gasket Removal	24		

Configuration Number Matrix

Check the identification plate (ID) for the 16-digit Configuration Number of your pump. Use the following matrix to define the components of your pump.

Sample Configuration Number: VA40PA - PP TF TF FE OO

VA40	P	A	PP	TF	TF	FE	OO
Pump Model	Fluid Section	Air Section	Seats	Balls	Diaphragms	Connections	Options

NOTE: Some combinations are not possible. Please check with your local supplier, or see the full pump listing on page 26.

Pump Model (1 and 2)	Fluid Section Material (3)		Air Section Material (4)		Seats (5)	
VA40	C	Conductive Polypropylene	A	Aluminum	BN	Buna-N
	K	PVDF	S	Stainless Steel	HY	TPE
	P	Polypropylene			KY	PVDF
					PP	Polypropylene
					SP	Santoprene
					SS	Stainless Steel
					VT	FKM

Balls (6)		Diaphragm (7)		Connections (8)		Options (9)	
BN	Buna-N	BN	Buna-N	FE	Flange	OO	Standard
GE	Geolast	GE	Geolast			RE	Remote
HY	TPE	HY	TPE				
SP	Santoprene	SP	Santoprene				
TF	PTFE	TF	PTFE 2-Piece				
VT	FKM	VT	FKM				

Symbols

Warning Symbol



This symbol alerts you to the possibility of serious injury or death if you do not follow the instructions.

Caution Symbol



This symbol alerts you to the possibility of damage to or destruction of equipment if you do not follow the instructions.

Warning



INSTRUCTIONS

EQUIPMENT MISUSE HAZARD

Equipment misuse can cause the equipment to rupture or malfunction and result in serious injury.

- This equipment is for professional use only.
- Read all instruction manuals, tags, and labels before operating the equipment.
- Use the equipment only for its intended purpose. If you are not sure, call VERDER After Sales Service.
- Do not alter or modify this equipment.
- Check equipment daily. Repair or replace worn or damaged parts immediately.
- Do not exceed the maximum working pressure of the lowest rated component in your system. This equipment has an **8.3 bar maximum working pressure at 8.3 bar maximum incoming air pressure**.
- Use fluids and solvents which are compatible with the equipment wetted parts. Refer to the **Technical Data** section of all equipment manuals. Read the fluid and solvent manufacturer's warnings.
- Do not use hoses to pull equipment.
- Route hoses away from traffic areas, sharp edges, moving parts, and hot surfaces. Do not expose VERDER hoses to temperatures above 82°C or below -40°C.
- Do not lift pressurized equipment.
- Wear hearing protection when operating this equipment.
- Comply with all applicable local, state, and national fire, electrical, and safety regulations.

Warning



TOXIC FLUID HAZARD

Hazardous fluid or toxic fumes can cause serious injury or death if splashed in the eyes or on the skin, inhaled, or swallowed.



- Know the specific hazards of the fluid you are using.
- Store hazardous fluid in an approved container. Dispose of hazardous fluid according to all local, state, and national guidelines.
- Always wear protective eyewear, gloves, clothing, and respirator as recommended by the fluid and solvent manufacturer.
- Pipe and dispose of the exhaust air safely, away from people, animals, and food handling areas. If the diaphragm fails, the fluid is exhausted along with the air. See **Air Exhaust Ventilation** on page 12.



FIRE AND EXPLOSION HAZARD

Improper grounding, poor ventilation, open flames, or sparks can cause a hazardous condition and result in a fire or explosion and serious injury



- Ground the equipment. Refer to **Grounding** on page 6.
- **Never** use a non-conductive polypropylene or PVDF pump in an explosive atmosphere or with non-conductive flammable fluids as specified by your local fire protection code. Refer to **Grounding** on page 6 for additional information. Consult your fluid supplier to determine the conductivity or resistivity of your fluid.
- If there is any static sparking or you feel an electric shock while using this equipment, **stop pumping immediately**. Do not use the equipment until you identify and correct the problem.
- Provide fresh air ventilation to avoid the buildup of flammable fumes from solvents or the fluid being sprayed, dispensed, or transferred.
- Pipe and dispose of the exhaust air safely, away from all sources of ignition. If the diaphragm fails, the fluid is exhausted along with the air. See **Air Exhaust Ventilation** on page 12.
- Keep the work area free of debris, including solvent, rags, and gasoline.
- Electrically disconnect all equipment in the work area.
- Extinguish all open flames or pilot lights in the work area.
- Do not smoke in the work area.
- Do not turn on or off any light switch in the work area while operating or if fumes are present.
- Do not operate a gasoline engine in the work area.

Installation

General Information

1. The Typical Installation shown in FIG. 2 is only a guide for selecting and installing system components.
Contact your VERDER Customer Service for assistance in planning a system to suit your needs.
2. Always use Genuine VERDER Parts and Accessories. Be sure all accessories are adequately sized and pressure-rated to meet the system's requirements.
3. Reference numbers and letters in parentheses refer to the callouts in the figures and the parts lists on pages 29-30.
4. Variations in color between the plastic components of this pump are normal. Color variation does not affect the performance of the pump.

Warning



TOXIC FLUID HAZARD

Hazardous fluid or toxic fumes can cause serious injury or death if splashed in the eyes or on the skin, inhaled, or swallowed.

1. Read **TOXIC FLUID HAZARD** on page 5.
2. Use fluids and solvents which are compatible with the equipment wetted parts. Refer to the **Technical Data** section of all equipment manuals. Read the fluid and solvent manufacturer's warnings.

Tightening Screws Before First Use

Before using the pump for the first time, check and retorquer all external fasteners. See **Torque Sequence**, page 32. After the first day of operation, retorquer the fasteners. Although pump use varies, a general guideline is to retorquer fasteners every two months.

Grounding

Warning

FIRE AND EXPLOSION HAZARD



This pump must be grounded. Before operating the pump, ground the system as explained below. Also, read the section **FIRE AND EXPLOSION HAZARD** on page 5.



Non-Conductive Polypropylene and PVDF are **not** conductive.

Attaching the ground wire to the grounding lug will ground only the air motor. When pumping conductive flammable fluids, **always** make sure the fluid has an electrical path to a true earth ground. Possible methods of grounding the fluid are through the fluid containers or piping. Contact your VERDER Customer Service for assistance in grounding your system. **Never** use a non-conductive polypropylene or a PVDF pump in an explosive atmosphere with non-conductive flammable fluids as specified by your local fire protection code. US Code (NFPA 77 Static Electricity) recommends a conductivity greater than 50×10^{-12} Siemens/meter (ohms/meter) over your operating temperature range to reduce the hazard of fire. Consult your fluid supplier to determine the conductivity or resistivity of your fluid. The resistivity must be less than 2×10^{12} ohm-centimeters.

Installation

Grounding (continued)

To reduce the risk of static sparking, ground the pump and all other equipment used or located in the pumping area. Check your local electrical code for detailed grounding instructions for your area and type of equipment. **Ground all of this equipment.**

- *Pump:* Connect a ground wire and clamp as shown in FIG. 1 Loosen the grounding screw (W). Insert one end of a 1.5 mm² minimum ground wire (Y) behind the grounding screw and tighten the screw securely. Connect the clamp end of the ground wire to a true earth ground. Order Part No. 819.4486 Ground Wire and Clamp.

NOTE: When pumping conductive flammable fluids with a non-conductive polypropylene or a PVDF pump, **always** ground the entire fluid system. See the **Warning** on page 6.

- *Air and Fluid hoses:* Use only electrically conductive hoses.
- *Air compressor:* Follow the manufacturer's recommendations.

- *All solvent pails used when flushing,* according to local code. Use only metal pails, which are conductive. Do not place the pail on a non-conductive surface, such as paper or cardboard, which interrupts the grounding continuity.
- *Fluid supply container:* Follow the local code.

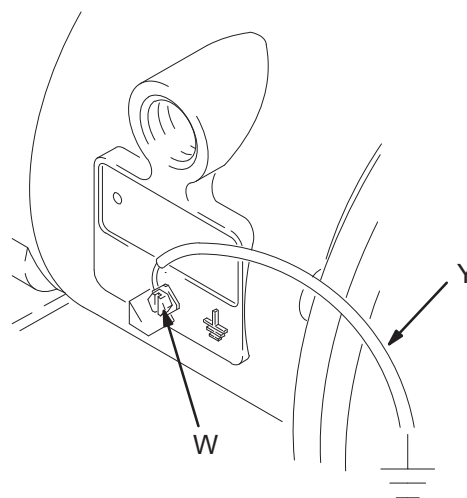


Fig. 1

02646B

Installation

Air Line

Warning

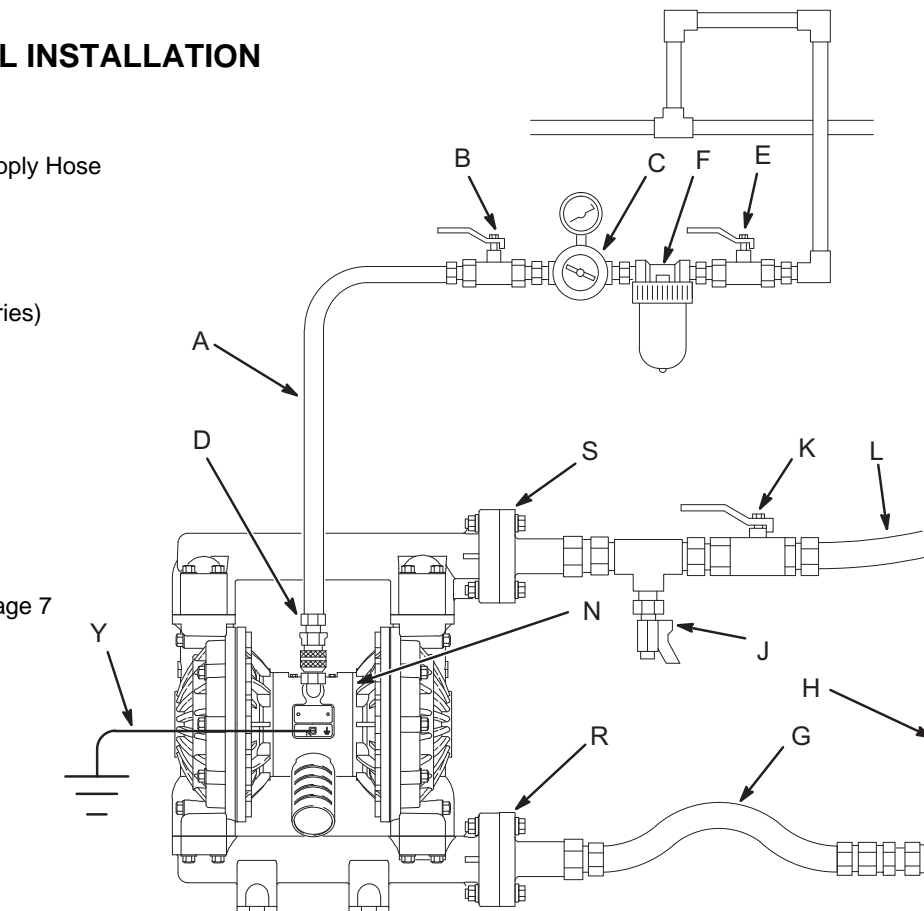
A bleed-type master air valve (B) is required in your system to relieve air trapped between this valve and the pump. Trapped air can cause the pump to cycle unexpectedly, which could result in serious injury, including splashing in the eyes or on the skin, injury from moving parts, or contamination from hazardous fluids. See FIG. 2.

1. Install the air line accessories as shown in FIG. 2. Mount these accessories on the wall or on a bracket. Be sure the air line supplying the accessories is electrically conductive.
 - a. Install an air regulator (C) and gauge to control the fluid pressure. The fluid outlet pressure will be the same as the setting of the air regulator.
 - b. Locate one bleed-type master air valve (B) close to the pump and use it to relieve trapped air. See the **Warning** at left. Locate the other master air valve (E) upstream from all air line accessories and use it to isolate them during cleaning and repair.
 - c. The air line filter (F) removes harmful dirt and moisture from the compressed air supply.
2. Install an electrically conductive, flexible air hose (A) between the accessories and the 1/2 npt(f) pump air inlet (N). See FIG. 2. Use a minimum 13 mm ID air hose.
3. Screw an air line quick disconnect coupler (D) onto the end of the air hose (A); be sure the coupler porting is large enough to not restrict the air flow, which will affect pump performance. Screw the mating fitting into the pump air inlet snugly. Do not connect the coupler (D) to the fitting until you are ready to operate the pump.

FLOOR MOUNT TYPICAL INSTALLATION

KEY

- A Electrically Conductive Air Supply Hose
- B Bleed-Type Master Air Valve (required for pump)
- C Air Regulator
- D Air Line Quick Disconnect
- E Master Air Valve (for accessories)
- F Air Line Filter
- G Fluid Suction Hose
- H Fluid Supply
- J Fluid Drain Valve (required)
- K Fluid Shutoff Valve
- L Fluid Hose
- N 1/2 npt(f) Air Inlet Port
- R 1-1/2 in. Fluid Inlet Flange
- S 1-1/2 in. Fluid Outlet Flange
- Y Ground Wire (required; see page 7 for installation instructions)



04701B

Fig. 2

Installation

Mountings

Caution

The pump exhaust air may contain contaminants. Ventilate to a remote area if the contaminants could affect your fluid supply. See **Air Exhaust Ventilation** on page 12.

1. Be sure the mounting surface can support the weight of the pump, hoses, and accessories, as well as the stress caused during operation.
2. For all mountings, be sure the pump is bolted directly to the mounting surface.
3. For ease of operation and service, mount the pump so the air valve cover (2), air inlet, and fluid inlet and outlet ports are easily accessible.
4. Rubber Foot Mounting Kit 819.4333 is available to reduce noise and vibration during operation.

Fluid Suction Line

1. The pump fluid inlet (R) is a 1-1/2 in. raised face flange. Refer to **Flange Connections** on page 10.

2. If the fluid inlet pressure to the pump is more than 25% of the outlet working pressure, the ball check valves will not close fast enough, resulting in inefficient pump operation.
3. At inlet fluid pressures greater than 1.05 bar, diaphragm life will be shortened.
4. See the **Technical Data** on page 35 for maximum suction lift (wet and dry).

Fluid Outlet Line

Warning

A fluid drain valve (J) is required to relieve pressure in the hose if it is plugged. The drain valve reduces the risk of serious injury, including splashing in the eyes or on the skin, or contamination from hazardous fluids when relieving pressure. Install the valve close to the pump fluid outlet. See FIG. 2.

1. The pump fluid outlet (S) is a 1-1/2 in. raised face flange. Refer to **Flange Connections** on page 10.
2. Install a fluid drain valve (J) near the fluid outlet. See the **Warning** above.
3. Install a shutoff valve (K) in the fluid outlet line.

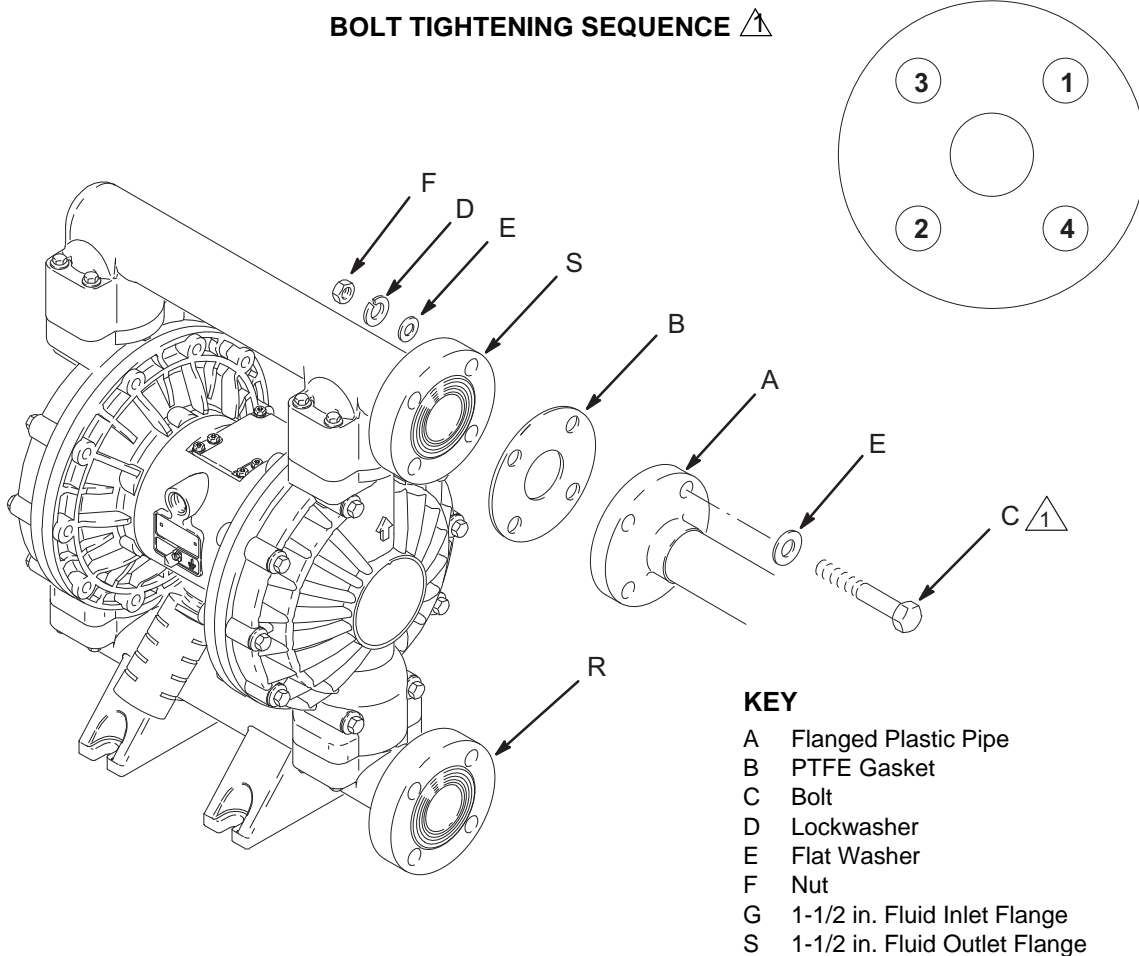
Installation

Flange Connections

The fluid inlet and outlet ports are 1-1/2 in. raised face, standard 150 lb class pipe flanges. Connect 1-1/2 in. flanged plastic pipe to the pump as follows. You will need:

- Torque wrench
- Adjustable wrench
- a 5 in. diameter, 1/8 in. thick PTFE gasket, with four 0.63 in. diameter holes on a 3.88 in. diameter bolt circle, and a 1.75 in. diameter center
- four 1/2 in. x 3 in. bolts
- four 1/2 in. spring lockwashers
- eight 1/ in. flat washers
- four 1/2 in. nuts

1. Place a flat washer (E) on each bolt (C). Refer to FIG. 3.
2. Align the holes in the gasket (B) and the pipe flange (A) with the holes in the pump outlet flange (S).
3. Lubricate the threads of the four bolts. Install the bolts through the holes and secure with the washers (E), lockwashers (D), and nuts (F).
4. Hold the nuts with a wrench. Refer to the tightening sequence in FIG. 3 and torque the bolts to 14-20 N•m. Do not over-torque.
5. Repeat for the pump inlet flange (R).



Lubricate threads. Torque to 14-20 N•m. Do not over-torque.

Fig. 3

04703B

Installation

Changing the Orientation of the Fluid Inlet and Outlet Ports

The pump is shipped with the fluid inlet (R) and outlet (S) ports facing the same direction. See FIG. 4. To change the orientation of the inlet and/or outlet port:

1. Remove the screws (106 and 112) holding the inlet (102) and/or outlet (103) manifold to the covers (101).
2. Reverse the manifold and reattach. Install the screws and torque to 9-10 N•m. See **Torque Sequence**, page 32.

KEY

N	1/2 npt(f) Air Inlet Port	101	Fluid Covers
P	Muffler; Air Exhaust Port is 3/4 npt(f)	102	Fluid Inlet Manifold
R	1-1/2 in. Fluid Inlet Flange	103	Fluid Outlet Manifold
S	1-1/2 in. Fluid Outlet Flange	106	Fluid Outlet Manifold Screws (Top)
		112	Fluid Inlet Manifold Screws (Bottom)

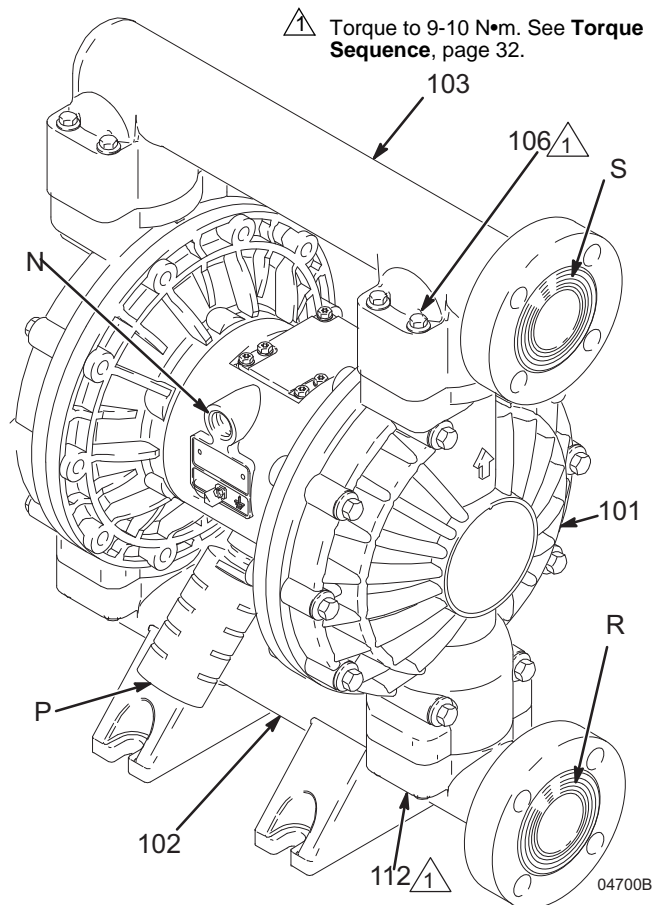


Fig. 4

Fluid Pressure Relief Valve

⚠ Caution

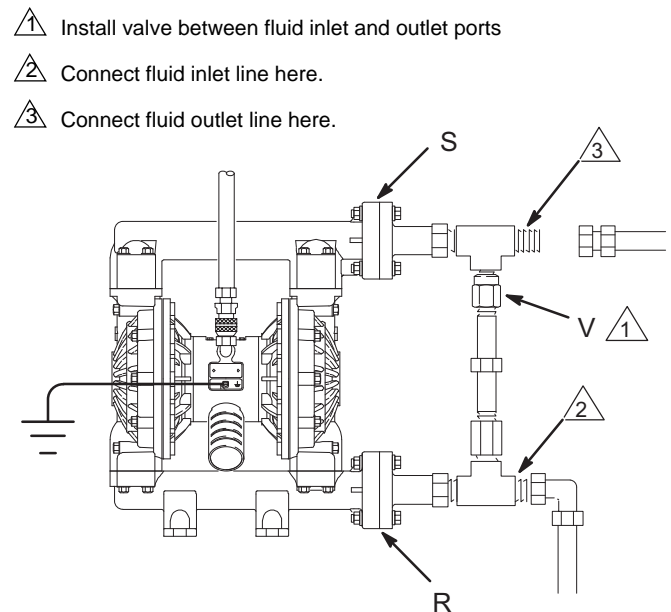
Some systems may require installation of a pressure relief valve at the pump outlet to prevent overpressurization and rupture of the pump or hose. See FIG. 5.

Thermal expansion of fluid in the outlet line can cause overpressurization. This can occur when using long fluid lines exposed to sunlight or ambient heat, or when pumping from a cool to a warm area (for example, from an underground tank).

Overpressurization can also occur if the **VERDERAIR** VA 40 pump is being used to feed fluid to a piston pump, and the intake valve of the piston pump does not close, causing fluid to back up in the outlet line.

KEY

R	1-1/2 in. Fluid Inlet Flange
S	1-1/2 in. Fluid Outlet Flange
V	Pressure Relief Valve Part No. 819.0159 (Stainless Steel)



04702B

Fig. 5

Installation

Air Exhaust Ventilation

Warning



FIRE AND EXPLOSION HAZARD

Be sure to read and follow the warnings and precautions regarding **TOXIC FLUID HAZARD**, and **FIRE AND EXPLOSION HAZARD** on page 5, before operating this pump.



Be sure the system is properly ventilated for your type of installation. You must vent the exhaust to a safe place, away from people, animals, food handling areas, and all sources of ignition when pumping flammable or hazardous fluids.

Diaphragm failure will cause the fluid being pumped to exhaust with the air. Place an appropriate container at the end of the air exhaust line to catch the fluid. See FIG. 6.

The air exhaust port is 3/4 npt(f). Do not restrict the air exhaust port. Excessive exhaust restriction can cause erratic pump operation.

If the muffler (P) is installed directly to the air exhaust port, apply PTFE thread tape or anti-seize thread lubricant to the muffler threads before assembly.

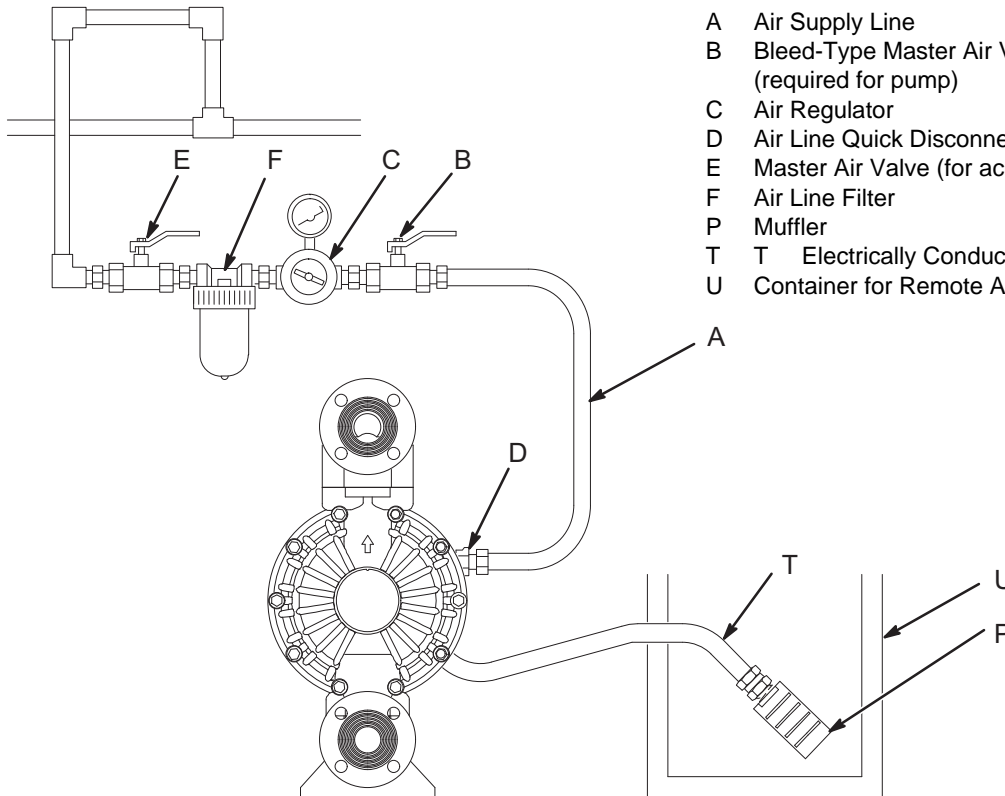
To provide a remote exhaust:

1. Remove the muffler (P) from the pump air exhaust port.
2. Install an electrically conductive air exhaust hose (T) and connect the muffler (P) to the other end of the hose. The minimum size for the air exhaust hose is 19 mm ID. If a hose longer than 4.57 m is required, use a larger diameter hose. Avoid sharp bends or kinks in the hose. See FIG. 6.
3. Place a container (U) at the end of the air exhaust line to catch fluid in case a diaphragm ruptures.

VENTING EXHAUST AIR

KEY

- A Air Supply Line
- B Bleed-Type Master Air Valve (required for pump)
- C Air Regulator
- D Air Line Quick Disconnect
- E Master Air Valve (for accessories)
- F Air Line Filter
- P Muffler
- T T Electrically Conductive Air Exhaust Hose
- U Container for Remote Air Exhaust



04704

Fig. 6

Operation

Pressure Relief Procedure

Warning

PRESSURIZED EQUIPMENT HAZARD

The equipment stays pressurized until pressure is manually relieved. To reduce the risk of serious injury from pressurized fluid, accidental spray from the gun or splashing fluid, follow this procedure whenever you:

- Are instructed to relieve pressure,
 - Stop pumping,
 - Check, clean or service any system equipment,
 - Install or clean fluid nozzles.
1. Shut off the air to the pump.
 2. Open the dispensing valve, if used.
 3. Open the fluid drain valve to relieve all fluid pressure, having a container ready to catch the drainage.

Flush the Pump Before First Use

The pump was tested in water. If water could contaminate the fluid you are pumping, flush it thoroughly with a compatible solvent. Follow the steps under **Starting and Adjusting the Pump**.

Starting and Adjusting the Pump

Warning



TOXIC FLUID HAZARD

Hazardous fluid or toxic fumes can cause serious injury or death if splashed in the eyes or on the skin, inhaled, or swallowed.

Do not lift a pump under pressure. If dropped, the fluid section may rupture. Always follow the **Pressure Relief Procedure** above before lifting the pump.

1. Be sure the pump is properly grounded. Refer to **Grounding** on page 6.
2. Check all fittings to be sure they are tight. Be sure to use a compatible liquid thread sealant on all male threads. Tighten the fluid inlet and outlet fittings securely.
3. Place the suction tube (if used) in the fluid to be pumped.

NOTE: If the fluid inlet pressure to the pump is more than 25% of the outlet working pressure, the ball check valves will not close fast enough, resulting in inefficient pump operation.

4. Place the end of the fluid hose (L) into an appropriate container.
5. Close the fluid drain valve (J). See FIG. 2.
6. With the pump air regulator (C) closed, open all bleed-type master air valves (B, E).
7. If the fluid hose has a dispensing device, hold it open while continuing with the following step.
8. Slowly open the air regulator (C) until the pump starts to cycle. Allow the pump to cycle slowly until all air is pushed out of the lines and the pump is primed.

If you are flushing, run the pump long enough to thoroughly clean the pump and hoses. Close the air regulator. Remove the suction tube from the solvent and place it in the fluid to be pumped.

Pump Shutdown

Warning

To reduce the risk of serious injury whenever you are instructed to relieve pressure, always follow the **Pressure Relief Procedure** at left.

At the end of the work shift, relieve the pressure.

Maintenance

Lubrication

The air valve is designed to operate unlubricated. However, if lubrication is desired, every 500 hours of operation (or monthly) remove the hose from the pump air inlet and add two drops of machine oil to the air inlet.

Caution

Do not over-lubricate the pump. Oil is exhausted through the muffler, which could contaminate your fluid supply or other equipment. Excessive lubrication can also cause the pump to malfunction.

Flushing and Storage

Warning

To reduce the risk of serious injury whenever you are instructed to relieve pressure, always follow the **Pressure Relief Procedure** on page 13.

Flush the pump often enough to prevent the fluid you are pumping from drying or freezing in the pump and damaging it. Flush with a fluid that is compatible with the fluid you are pumping and with the wetted parts in your system. Check with your fluid manufacturer or supplier for recommended flushing fluids and flushing frequency.

Always flush the pump and relieve the pressure before storing it for any length of time.

Tightening Threaded Connections

Before each use, check all hoses for wear or damage, and replace as necessary. Check to be sure all threaded connections are tight and leak-free. Check fasteners. Tighten or retorque as necessary. Although pump use varies, a general guideline is to retorque fasteners every two months. See **Torque Sequence**, page 32.

Preventive Maintenance Schedule

Establish a preventive maintenance schedule, based on the pump's service history. This is especially important for prevention of spills or leakage due to diaphragm failure.

Troubleshooting

Warning

To reduce the risk of serious injury whenever you are instructed to relieve pressure, always follow the **Pressure Relief Procedure** on page 13.

1. Relieve the pressure before checking or servicing the equipment.
2. Check all possible problems and causes before disassembling the pump.

PROBLEM	CAUSE	SOLUTION
Pump cycles at stall or fails to hold pressure at stall.	Worn check valve balls (301), seats (201) or o-rings (202).	Replace. See page 20.
Pump will not cycle, or cycles once and stops.	Air valve is stuck or dirty.	Disassemble and clean air valve. See pages 18-19. Use filtered air.
	Check valve ball (301) severely worn and wedged in seat (201) or manifold (102 or 103).	Replace ball and seat. See page 20.
	Check valve ball (301) is wedged into seat (201), due to overpressurization.	Install Pressure Relief Valve (see page 11).
	Dispensing valve clogged.	Relieve pressure and clear valve.
Pump operates erratically.	Clogged suction line.	Inspect; clear.
	Sticky or leaking balls (301).	Clean or replace. See page 20.
	Diaphragm ruptured.	Replace. See pages 21-23.
	Restricted exhaust.	Remove restriction.
Air bubbles in fluid.	Suction line is loose.	Tighten.
	Diaphragm ruptured.	Replace. See pages 21-23.
	Loose inlet manifold (102), damaged seal between manifold and seat (201), damaged o-rings (202).	Tighten manifold bolts (112) or replace seats (201) or o-rings (202). See page 20.
	Loose fluid side diaphragm plate (105).	Tighten or replace. See pages 21-23.

Troubleshooting

PROBLEM	CAUSE	SOLUTION
Fluid in exhaust air.	Diaphragm ruptured.	Replace. See pages 21-23.
	Loose fluid side diaphragm plate (105).	Tighten or replace. See pages 21-23.
Pump exhausts excessive air at stall.	Worn air valve block (7†■), o-ring (6†■), plate (8■), pilot block (18), u-cups (10†■), or pilot pin o-rings (17†■).	Inspect; replace. See pages 18-19.
	Worn shaft seals (402).	Replace. See pages 21-23.
Pump leaks air externally.	Air valve cover (2) or air valve cover screws (3) are loose.	Tighten screws. See page 19.
	Air valve gasket (4†■) or air cover gasket (22) is damaged.	Inspect; replace. See pages 18-19, 24-25.
	Air cover screws (25) are loose.	Tighten screws. See pages 24-25.
Pump leaks fluid externally from ball check valves.	Loose manifolds (102, 103), damaged seal between manifold and seat (201), damaged o-rings (202).	Tighten manifold bolts (106 and 112) or replace seats (201) or o-rings (202). See page 20.

Service

Repairing the Air Valve

Tools Required

- Torque wrench
- Torx (T20) screwdriver or 7 mm socket wrench
- Needle-nose pliers
- O-ring pick
- Lithium base grease

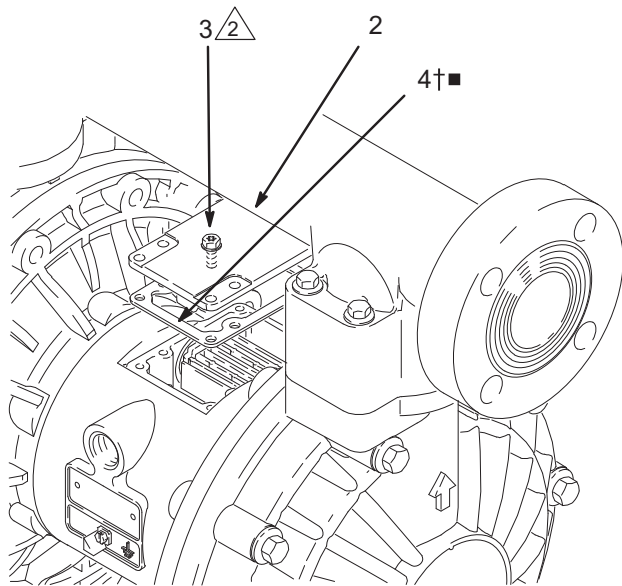
NOTE: Air Valve Repair Kits 819.4274 (aluminum center housing models) and 819.0249 (stainless steel center housing models) are available. Refer to page 29. Parts included in the kit are marked with a symbol, for example (4†■). Use all the parts in the kit for the best results.

Disassembly

Warning

To reduce the risk of serious injury whenever you are instructed to relieve pressure, always follow the **Pressure Relief Procedure** on page 13.

1. **Relieve the pressure.**
2. With a Torx (T20) screwdriver or 7 mm socket wrench, remove the six screws (3), air valve cover (2), and gasket (4†■). See FIG. 7.
3. Move the valve carriage (5) to the center position and pull it out of the cavity. Remove the valve block (7) and o-ring (6†■) from the carriage. Using a needle-nose pliers, pull the pilot block (18) straight up and out of the cavity. See FIG. 8.
4. Pull the two actuator pistons (11) out of the bearings (12). Remove the u-cup packings (10†■) from the pistons. Pull the pilot pins (16) out of the bearings (15). Remove the o-rings (17†■) from the pilot pins. See FIG. 9.
5. Inspect the valve plate (8■) in place. If damaged, use a Torx (T20) screwdriver or 7 mm socket wrench to remove the three screws (3). Remove the valve plate (8■) and, on aluminum center housing models, remove the seal (9†). See FIG. 10.
6. Inspect the bearings (12, 15) in place. See FIG. 9. The bearings are tapered and, if damaged, must be removed from the outside. This requires disassembly of the fluid section. See page 24.
7. Clean all parts and inspect for wear or damage. Replace as needed. Reassemble as explained on page 19.

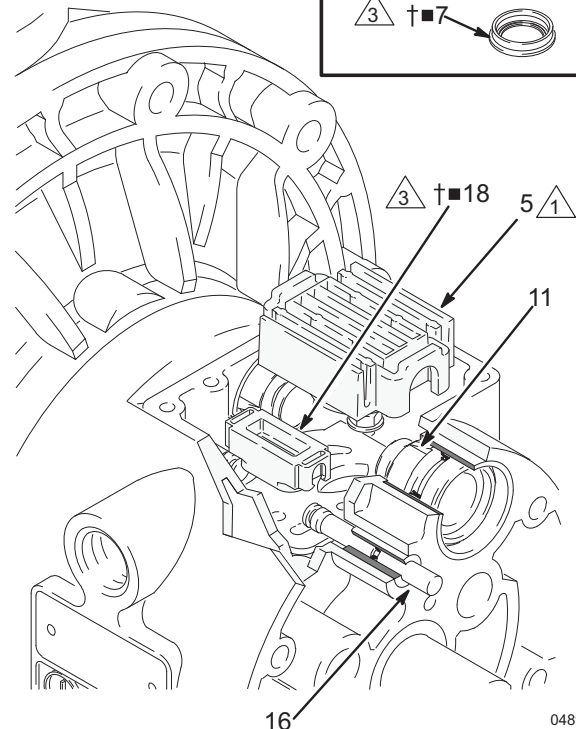
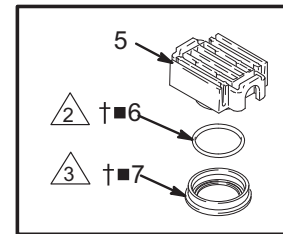


⚠ Torque to 5.6-6.8 N•m.

4705B

Fig. 7

- ⚠ See Detail at right.
- ⚠ Grease.
- ⚠ Grease lower face.



04898B

Fig. 8

Service

- ▲1 Insert narrow end first.
- ▲2 Grease.
- ▲3 Install with lips facing narrow end of piston (11).
- ▲4 Insert wide end first.

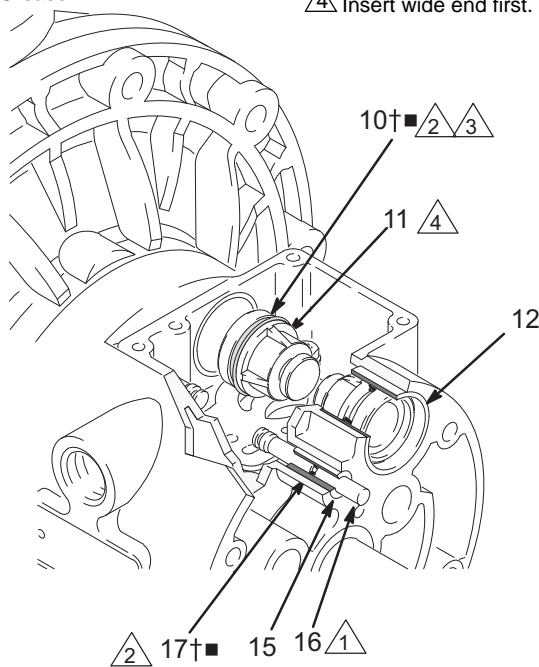


Fig. 9

04899B

- ▲1 Rounded side must face down (aluminum center housing models only).
- ▲2 Tighten screws until they bottom out on the housing.

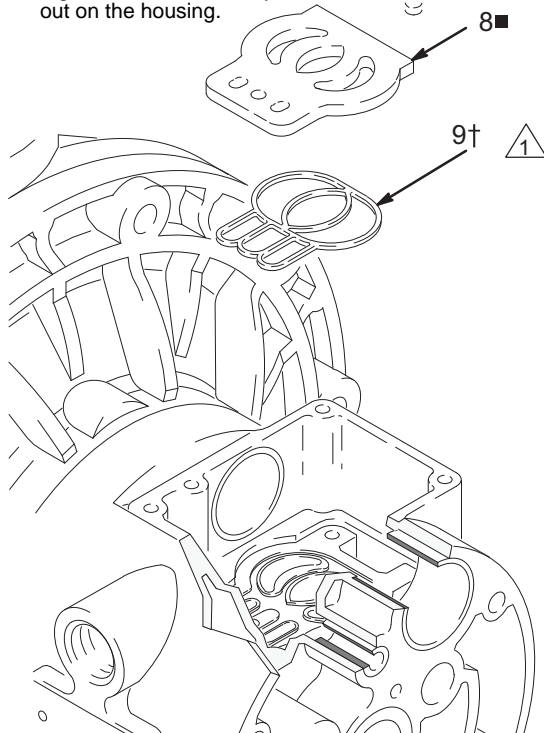


Fig. 10

03271

Reassembly

1. If you removed the bearings (12, 15), install new ones as explained on page 24. Reassemble the fluid section.
2. On aluminum center housing models, install the valve plate seal (9†) into the groove at the bottom of the valve cavity. The rounded side of the seal **must face down** into the groove. See FIG. 10.
3. Install the valve plate (8■) in the cavity. On aluminum center housing models, the plate is reversible, so either side can face up. Install the three screws (3), using a Torx (T20) screwdriver or 7 mm socket wrench. Tighten until the screws bottom out on the housing. See FIG. 10.
4. Install an o-ring (17†■) on each pilot pin (16). Grease the pins and o-rings. Insert the pins into the bearings (15), **narrow** end first. See FIG. 9.
5. Install a u-cup packing (10†■) on each actuator piston (11), so the lips of the packings face the **narrow** end of the pistons. See FIG. 9.
6. Lubricate the u-cup packings (10†■) and actuator pistons (11). Insert the actuator pistons in the bearings (12), **wide** end first. Leave the narrow end of the pistons exposed. See FIG. 9.
7. Grease the lower face of the pilot block (18†■) and install so its tabs snap into the grooves on the ends of the pilot pins (16). See FIG. 8.
8. Grease the o-ring (6†■) and install it in the valve block (7†■). Push the block onto the valve carriage (5). Grease the lower face of the valve block. See FIG. 8.
9. Install the valve carriage (5) so its tabs slip into the grooves on the narrow end of the actuator pistons (11). See FIG. 8.
10. Align the valve gasket (4†■) and cover (2) with the six holes in the center housing (1). Secure with six screws (3), using a Torx (T20) screwdriver or 7 mm socket wrench. Torque to 5.6-6.8 N•m. See FIG. 7.

Service

Ball Check Valve Repair

Tools Required

- Torque wrench
- 10 mm socket wrench
- O-ring pick

Disassembly

NOTE: A Fluid Section Repair Kit is available. Refer to page 27 to order the correct kit for your pump. Parts included in the kit are marked with an asterisk, for example (201*). Use all the parts in the kit for the best results.

NOTE: To ensure proper seating of the balls (301), always replace the seats (201) when replacing the balls.

Warning

To reduce the risk of serious injury whenever you are instructed to relieve pressure, always follow the **Pressure Relief Procedure** on page 13.

1. **Relieve the pressure.** Disconnect all hoses.
2. Remove the pump from its mounting.
3. Using a 10 mm socket wrench, remove the eight bolts (106) holding the outlet manifold (103) to the fluid covers (101). See FIG. 11.
4. Remove the seats (201), balls (301), and o-rings (202) from the manifold.


NOTE: Some models do not use o-rings (202).


5. Turn the pump over and remove the bolts (112) and inlet manifold (102). Remove the seats (201), balls (301), and o-rings (202) from the fluid covers (101).

Reassembly

1. Clean all parts and inspect for wear or damage. Replace parts as needed.
2. Reassemble in the reverse order, following all notes in FIG. 11. Be sure the ball checks are assembled **exactly** as shown. The arrows (A) on the fluid covers (101) **must** point toward the outlet manifold (103).

 Torque to 9-10 N•m. See **Torque Sequence**, page 32.

 Arrow (A) must point toward outlet manifold (103)

 Not used on some models.

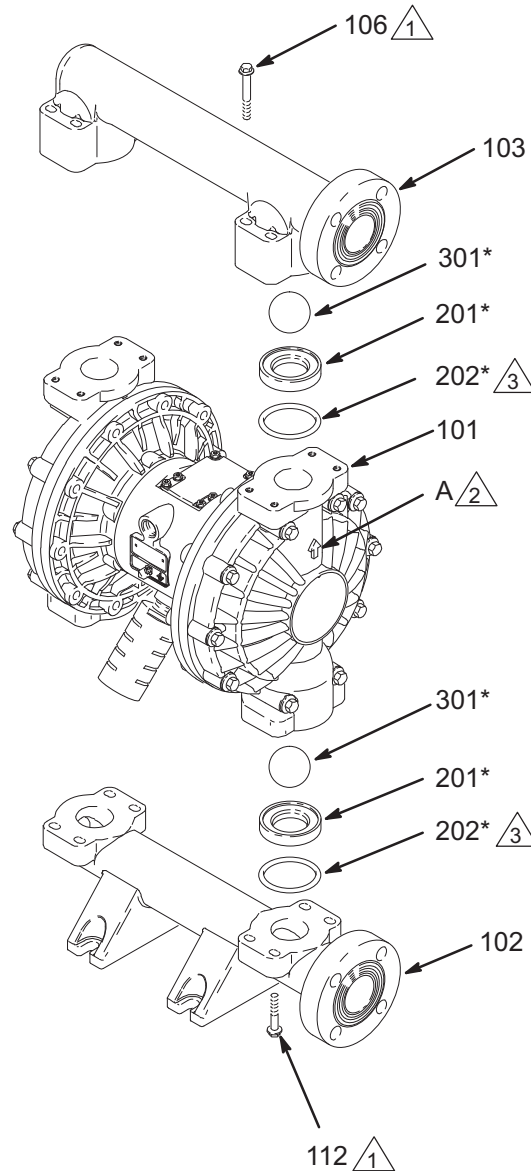


Fig. 11

04706B

Service

Diaphragm Repair

Tools Required

- Torque wrench
- 13 mm socket wrench
- Adjustable wrench
- 19 mm open-end wrench
- O-ring pick
- Lithium-base grease

Disassembly

NOTE: A Fluid Section Repair Kit is available. Refer to page 27 to order the correct kit for your pump. Parts included in the kit are marked with an asterisk, for example (401*). Use all the parts in the kit for the best results.

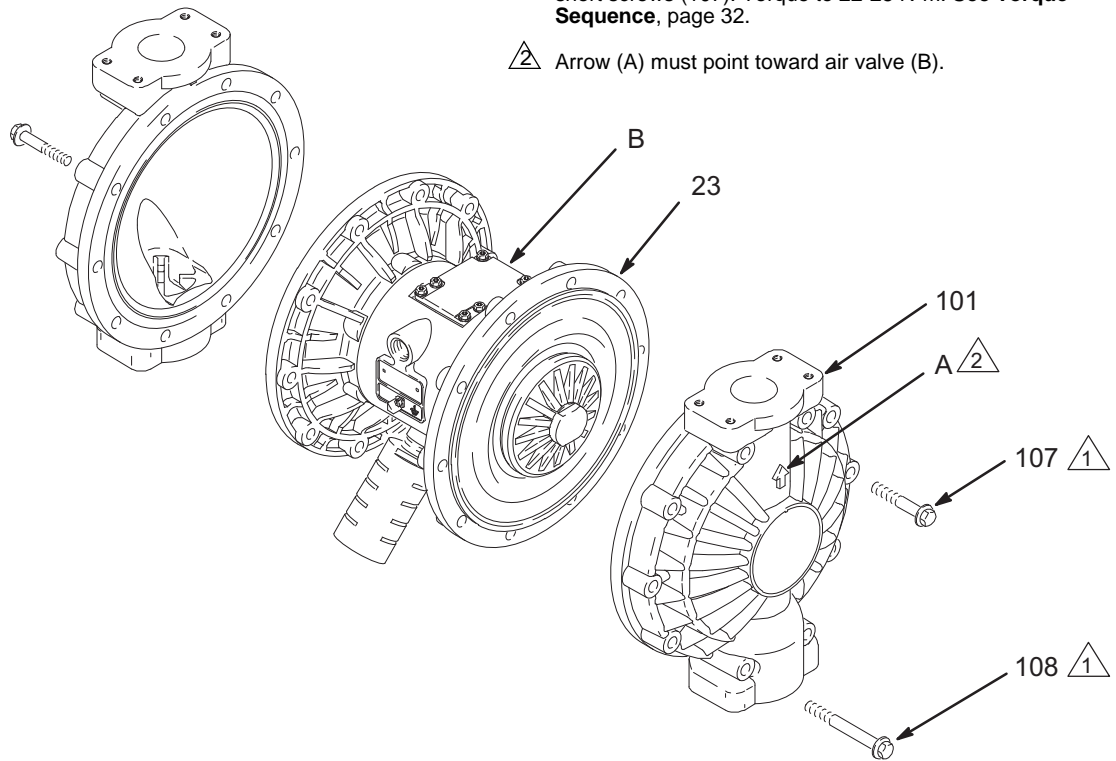
! Warning

To reduce the risk of serious injury whenever you are instructed to relieve pressure, always follow the **Pressure Relief Procedure** on page 13.

1. **Relieve the pressure.**
2. Remove the manifolds and disassemble the ball check valves as explained on page 20.
3. Using 13 mm socket wrenches, remove the screws (107 and 108) holding the fluid covers (101) to the air covers (23). Pull the fluid covers (101) off the pump. See FIG. 12.

⚠ You must torque the eight long screws (108) first, then the short screws (107). Torque to 22-25 N•m. See **Torque Sequence**, page 32.

⚠ Arrow (A) must point toward air valve (B).



04707B

Fig. 12

Service

4. Unscrew one outer plate (105) from the diaphragm shaft (24). Remove one diaphragm (401), and the inner plate (104). See FIG. 13.

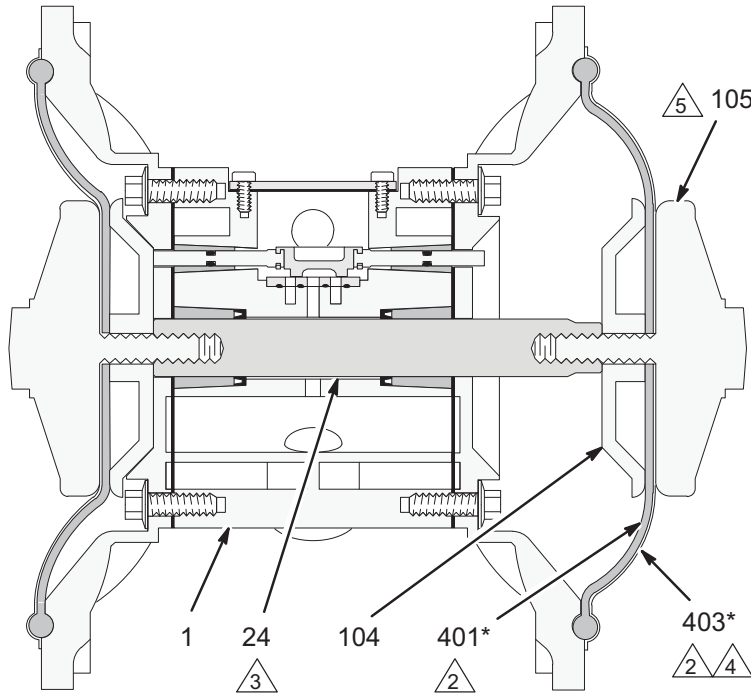
NOTE: PTFE models include a PTFE diaphragm (403) in addition to the backup diaphragm (401).

5. Pull the other diaphragm assembly and the diaphragm shaft (24) out of the center housing (1). Hold the shaft flats with a 19 mm open-end wrench, and remove the outer plate (105) from the shaft. Disassemble the remaining diaphragm assembly.
6. Inspect the diaphragm shaft (24) for wear or scratches. If it is damaged, inspect the bearings (19) in place. If the bearings are damaged, refer to page 24.
7. Reach into the center housing (1) with an o-ring pick and hook the u-cup packings (402), then pull them out of the housing. This can be done with the bearings (19) in place.
8. Clean all parts and inspect for wear or damage. Replace parts as needed.

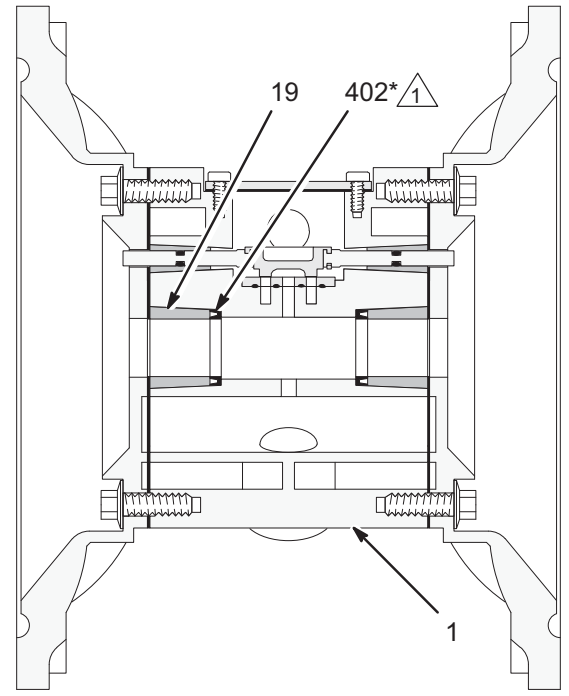
Reassembly

1. Grease the shaft u-cup packings (402*) and install them so the lips face out of the housing (1). See FIG. 13.
2. Grease the length and ends of the diaphragm shaft (24) and slide it through the housing (1).
3. Assemble the inner diaphragm plates (104), diaphragms (401*), PTFE diaphragms (403*, if present), and outer diaphragm plates (105) *exactly* as shown in FIG. 13. These parts **must** be assembled correctly.
4. Apply medium-strength (blue) loctite® or equivalent to the threads of the fluid-side plates (105). Hold one of the outer plates (105) with a wrench and torque the other outer plate to 18.1-22.6 N•m, at 100 rpm maximum. Do not over-torque.
5. Align the fluid covers (101) and the center housing (1) so the arrows (A) on the covers face the same direction as the air valve (B). Secure the covers with the screws (107 and 108), handtight. Install the longer screws (108) in the top and bottom holes of the covers. See FIG. 12.
6. First, torque the longer screws (108) oppositely and evenly to 14.7-16.9 N•m, using a 13 mm socket wrench. Then torque the shorter screws (107). See **Torque Sequence**, page 32.
7. Reassemble the ball check valves and manifolds as explained on page 20.

Service



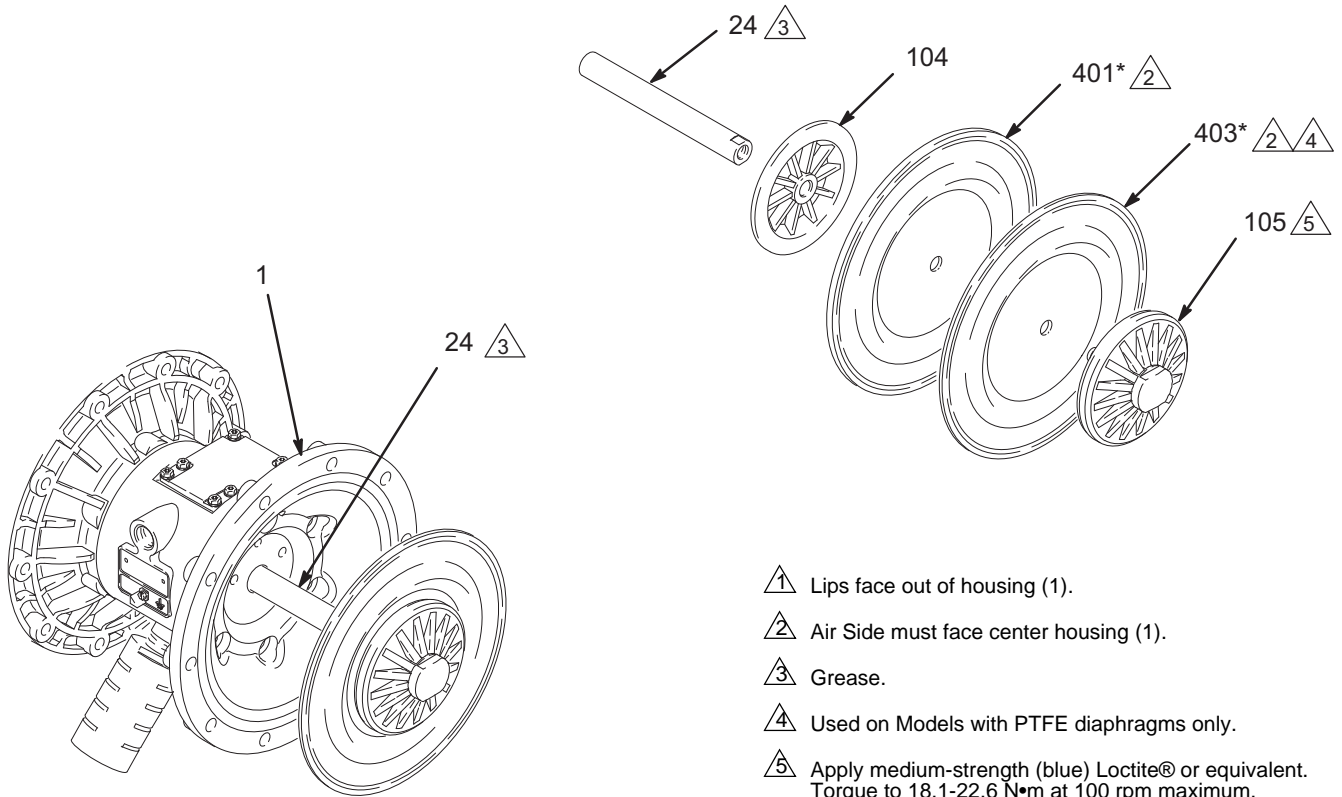
Cutaway View, with Diaphragms in Place



Cutaway View, with Diaphragms Removed

04708

03275



- ⚠ Lips face out of housing (1).
- ⚠ Air Side must face center housing (1).
- ⚠ Grease.
- ⚠ Used on Models with PTFE diaphragms only.
- ⚠ Apply medium-strength (blue) Loctite® or equivalent. Torque to 18.1-22.6 N•m at 100 rpm maximum.

04709B

Fig. 13

Service

Bearing and Air Gasket Removal

Tools Required

- Torque wrench
- 10 mm socket wrench
- Bearing puller
- O-ring pick
- Press, or block and mallet

Disassembly

NOTE: Do not remove undamaged bearings.

Warning

To reduce the risk of serious injury whenever you are instructed to relieve pressure, always follow the **Pressure Relief Procedure** on page 13.

1. Relieve the pressure.
2. Remove the manifolds and disassemble the ball check valves as explained on page 20.
3. Remove the fluid covers and diaphragm assemblies as explained on page 21.

NOTE: If you are removing only the diaphragm shaft bearing (19), skip step 4.

4. Disassemble the air valve as explained on page 18.
5. Using a 10 mm socket wrench, remove the screws (25) holding the air covers (23) to the center housing (1). See FIG. 14.

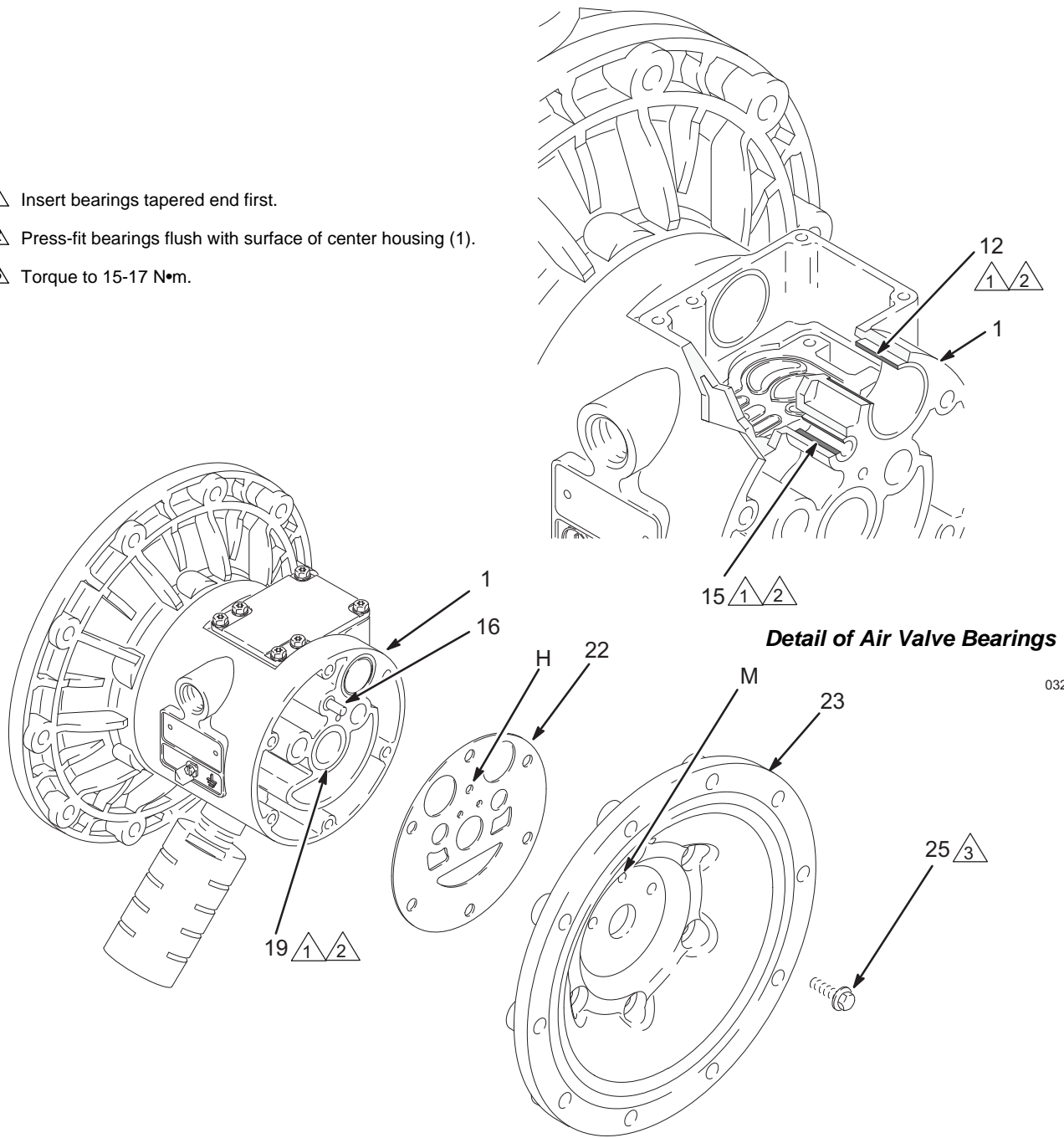
6. Remove the air cover gaskets (22). Always replace the gaskets with new ones.
7. Use a bearing puller to remove the diaphragm shaft bearings (19), air valve bearings (12) or pilot pin bearings (15). Do not remove undamaged bearings.
8. If you removed the diaphragm shaft bearings (19), reach into the center housing (1) with an o-ring pick and hook the u-cup packings (402), then pull them out of the housing. Inspect the packings. See FIG. 13.

Reassembly

1. If removed, install the shaft u-cup packings (402*) so the lips face out of the housing (1).
2. The bearings (19, 12, and 15) are tapered and can only be installed one way. Insert the bearings into the center housing (1), tapered end first. Using a press or a block and rubber mallet, press-fit the bearing so it is flush with the surface of the center housing.
3. Reassemble the air valve as explained on page 19.
4. Align the new air cover gasket (22) so the pilot pin (16) protruding from the center housing (1) fits through the proper hole (H) in the gasket.
5. Align the air cover (23) so the pilot pin (16) fits in the middle hole (M) of the three small holes near the center of the cover. Install the screws (25), handtight. See FIG. 14. Using a 10 mm socket wrench, torque the screws oppositely and evenly to 15-17 N•m.
6. Install the diaphragm assemblies and fluid covers as explained on page 21.
7. Reassemble the ball check valves and manifolds as explained on page 20.

Service

- ⚠️ 1 Insert bearings tapered end first.
- ⚠️ 2 Press-fit bearings flush with surface of center housing (1).
- ⚠️ 3 Torque to 15-17 N•m.



Detail of Air Valve Bearings

03277

03278B

Fig. 14

Pump Listing

VERDERAIR VA 40 Conductive Polypropylene, Polypropylene, and PVDF Pumps Series B

Your Model No. is marked on the pump's serial plate. The listing of existing VERDERAIR VA 40 pumps is below:

Part No.	Configuration Code	Pump Type 1	Size 2	Fluid Section 3	Air Section 4	Seats 5	Balls 6	Dia 7	Conn 8	Options 9
810.3913	VA40KA-KY TF TF FE OO	VA	40	K	A	KY	TF	TF	FE	OO
810.3936	VA44KA-KY VT VT FE OO	VA	40	K	A	KY	VT	VT	FE	OO
810.5807	VA40PA-SS TF TF FE OO	VA	40	P	A	SS	TF	TF	FE	OO
810.5868	VA40PA-HY HY HY FE OO	VA	40	P	A	HY	HY	HY	FE	OO
810.5897	VA40PA-SP SP SP FE OO	VA	40	P	A	SP	SP	SP	FE	OO
810.5903	VA40PA-PP TF TF FE OO	VA	40	P	A	PP	TF	TF	FE	OO
810.5916	VA40PA-PP HY HY FE OO	VA	40	P	A	PP	HY	HY	FE	OO
810.5921	VA40PA-PP SP SP FE OO	VA	40	P	A	PP	SP	SP	FE	OO
810.5926	VA40PA-PP VT VT FE OO	VA	40	P	A	PP	VT	VT	FE	OO
810.6984	VA40PA-PP GE GE FE OO	VA	40	P	A	PP	GE	GE	FE	OO
810.7027	VA40KA-KY TF TF FE RE	VA	40	K	A	KY	TF	TF	FE	RE
810.0089	VA40PA-SS BN BN FE OO	VA	40	P	A	SS	BN	BN	FE	OO
810.0090	VA40PA-BN BN BN FE OO	VA	40	P	A	BN	BN	BN	FE	OO
810.0091	VA40PA-VT VT VT FE OO	VA	40	P	A	VT	VT	VT	FE	OO
810.0097	VA40KA-VT VT VT FE OO	VA	40	K	A	VT	VT	VT	FE	OO
810.0098	VA40PS-SS BN BN FE OO	VA	40	P	S	SS	BN	BN	FE	OO
810.0099	VA40PS-SS TF TF FE OO	VA	40	P	S	SS	TF	TF	FE	OO
810.0100	VA40PS-PP TF TF FE OO	VA	40	P	S	PP	TF	TF	FE	OO
810.0104	VA40KS-SS TF TF FE OO	VA	40	K	S	SS	TF	TF	FE	OO
810.0432	VA40CA-SS BN BN FE OO	VA	40	C	A	SS	BN	BN	FE	OO
810.0433	VA40CA-HY TF HY FE OO	VA	40	C	A	HY	TF	HY	FE	OO
810.0434	VA40CA-HY HY HY FE OO	VA	40	C	A	HY	HY	HY	FE	OO
810.0435	VA40CA-SP SP SP FE OO	VA	40	C	A	SP	SP	SP	FE	OO
810.0436	VA40CA-BN BN BN FE OO	VA	40	C	A	BN	BN	BN	FE	OO
810.0437	VA40CA-VT VT VT FE OO	VA	40	C	A	VT	VT	VT	FE	OO
810.0438	VA40CA-PP TF TF FE OO	VA	40	C	A	PP	TF	TF	FE	OO
810.0439	VA40CA-PP HY HY FE OO	VA	40	C	A	PP	HY	HY	FE	OO
810.0440	VA40CA-PP SP SP FE OO	VA	40	C	A	PP	SP	SP	FE	OO
810.0441	VA40CA-PP VT TF FE OO	VA	40	C	A	PP	VT	TF	FE	OO
810.0442	VA40CA-PP VT VT FE OO	VA	40	C	A	PP	VT	VT	FE	OO
810.0443	VA40CA-PP GE GE FE OO	VA	40	C	A	PP	GE	GE	FE	OO
810.0444	VA40CS-SS TF TF FE OO	VA	40	C	S	SS	TF	TF	FE	OO
810.0445	VA40CS-SS BN BN FE OO	VA	40	C	S	SS	BN	BN	FE	OO
810.0446	VA40CS-PP TF TF FE OO	VA	40	C	S	PP	TF	TF	FE	OO
810.0447	VA40CS-PP SP SP FE OO	VA	40	C	S	PP	SP	SP	FE	OO

A = Aluminum S = 316 sst C = Conductive Polypropylene HY = TPE K = PVDF P = Polypropylene
 TF = PTFE SP = Santoprene VT = fluoroelastomer GE = Geolast

819.7138 Stainless Steel Air Motor Conversion Kit

Use kit 819.7138 and refer to instruction manual 819.7140 (included with kit) to convert from aluminum air motor to stainless steel air motor.

Repair Kit Listing

VERDERAIR VA 40 Polypropylene and PVDF Pumps, Series B

Repair Kits may only be ordered as kits. To repair the air valve, order **Part No. 819.4274** for aluminum center housing models or **Part No. 819.0249** for stainless steel center housing models (see page 29). Parts included in the Air Valve Repair Kit are marked with a symbol in the parts list, for example (4{). The list of existing Repair Kits is below:

Part No.	O-Rings	Seats	Balls	Diaphragms
819.4754	TF	---	---	TF
819.4755	TF	---	---	HY
819.4756	TF	---	---	SP
819.4794	TF	SS	TF	TF
819.4880	TF	HY	HY	HY
819.4921	TF	SP	SP	SP
819.4933	TF	PP	TF	---
819.4934	TF	PP	TF	TF
819.4948	TF	PP	HY	---
819.4950	TF	PP	HY	HY
819.4953	TF	PP	SP	---
819.4956	TF	PP	SP	SP
819.4968	TF	KY	TF	---
819.4969	TF	KY	TF	TF
819.4997	TF	KY	VT	VT
819.3800	TF	PP	GE	GE

HY = TPE KY = PVDF PP = Polypropylene SS = 316 sst TF = PTFE SP = Santoprene VT = fluoroelastomer
 --- = Null GE = Geolast

Parts

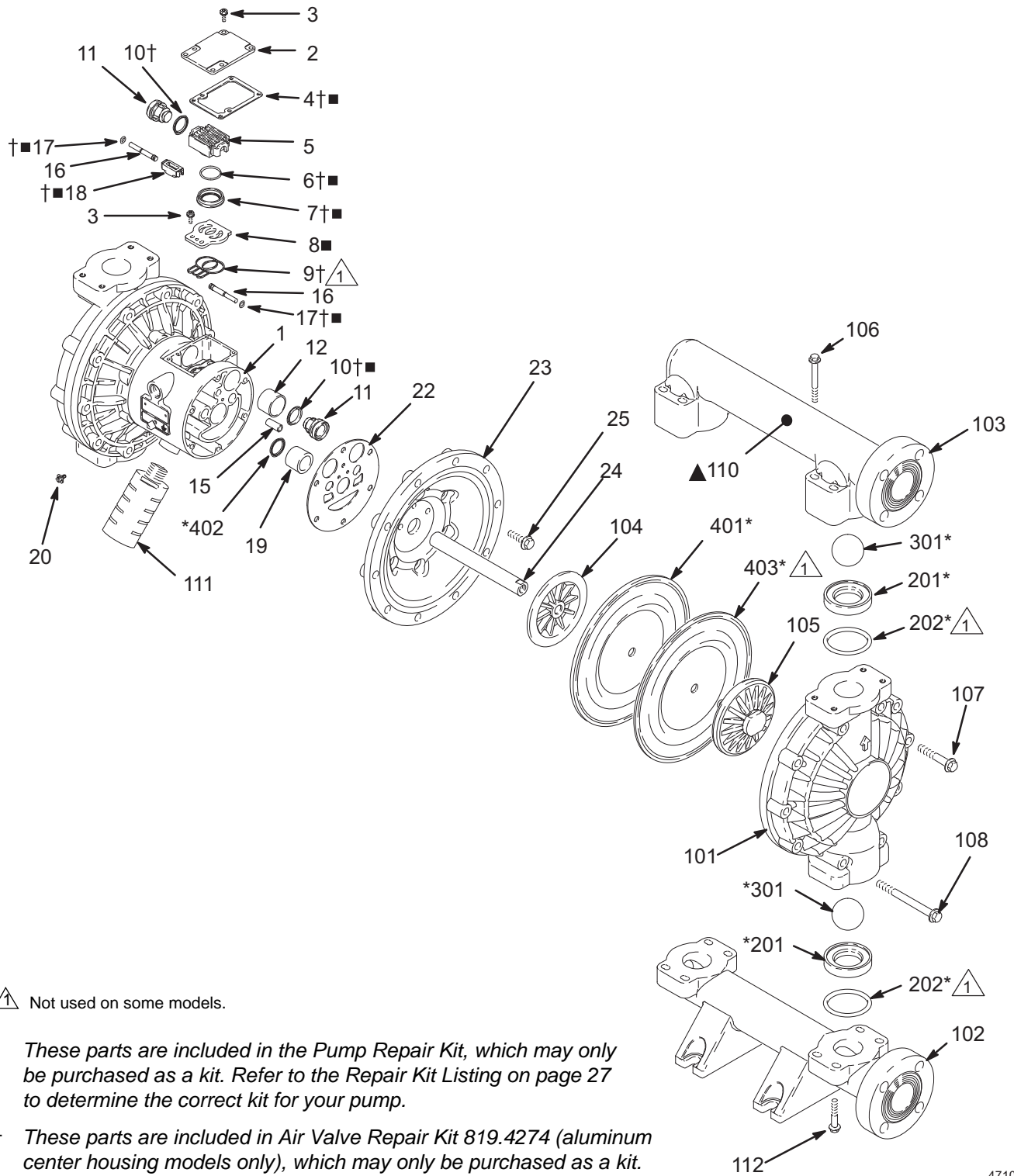
Air Motor Parts List

Ref. No.	Part No.	Description	Qty
1	819.4275	HOUSING, center; alum.	1
	819.0247	HOUSING, center; stainless steel	1
2	819.4276	COVER, air valve; alum.	1
	819.0259	COVER, air valve; stainless steel	1
3	819.0221	SCREW, mach, hex flange hd; M5 x 0.8; 12 mm	9
4†■	819.4278	GASKET, cover; Santoprene®	1
5	819.4279	CARRIAGE; aluminum	1
6†■	819.4280	O-RING; nitrile	1
7†■	819.4281	BLOCK, air valve; acetal	1
8■	Alum. 819.4282	PLATE, air valve; sst	1
	SST 819.0248	PLATE, air valve, sst	1
9†	Alum. 819.4283	SEAL, valve plate; buna-N	1
	SST -	-	-
10†■	819.4284	PACKING, u-cup; nitrile	2
11	819.4285	PISTON, actuator; acetal	2
12	819.4286	BEARING, piston; acetal	2
15	819.4287	BEARING, pin; acetal	2
16	819.4288	PIN, pilot; stainless steel	2
17†■	819.4289	O-RING; buna-N	2
18†■	819.4290	BLOCK, pilot; acetal	1
19	819.4291	BEARING, shaft; acetal	2
20	819.0220	SCREW, grounding	1
22	819.4294	GASKET, air cover; foam	2
	819.4336	COVER, air; aluminum	2
23	819.4336	COVER, air; aluminum	2
	819.7107	COVER, air; stainless steel	2
24	819.4337	SHAFT, diaphragm; sst	1
25	819.7051	SCREW; M8 x 1.25; 25 mm, aluminum	12
	819.4297	SCREW; M8 x 1.25; 25 mm, stainless steel	12

Fluid Section Parts List

Fluid section material	Ref. No.	Part No.	Description	Qty
P O L Y P R O P Y L E N E (P) or (C)	101	819.4487	COVER, fluid; polypropylene	2
		819.0276	COVER, fluid; conductive polypropylene	2
	102	819.6981	MANIFOLD, inlet; polypropylene	1
		819.0275	MANIFOLD, inlet; conductive polypropylene	1
	103	819.6986	MANIFOLD, outlet; polypropylene	1
		819.0277	MANIFOLD; outlet; conductive polypropylene	1
	104	819.0258	PLATE, air side; aluminum	2
	105	819.4490	PLATE, fluid side; polypropylene	2
	106	819.4375	SCREW; M8 x 1.25; 70 mm; sst	8
	107	819.4491	SCREW; M10 x 1.50; 60 mm; sst	12
	108	819.9752	SCREW; M10 x 1.50; 90 mm; sst	8
	110	819.6314	LABEL, warning	1
111	819.7000	MUFFLER	1	
P V D F (K)	101	819.4492	COVER, fluid; PVDF	2
		819.0072	MANIFOLD, inlet; PVDF	1
	103	819.0073	MANIFOLD, outlet; PVDF	1
	104	819.0258	PLATE, air side; aluminum	2
	105	819.4495	PLATE, fluid side; PVDF	2
	106	819.4375	SCREW; M8 x 1.25; 70 mm; sst	8
	107	819.4491	SCREW; M10 x 1.50; 60 mm; sst	12
	108	819.9752	SCREW; M10 x 1.50; 90 mm; sst	8
	110	819.6314	LABEL, warning	1
	111	819.7000	MUFFLER	1
	112	819.4377	SCREW; M8 x 1.25; 40 mm; sst	8

Parts



▲ Not used on some models.

* These parts are included in the Pump Repair Kit, which may only be purchased as a kit. Refer to the Repair Kit Listing on page 27 to determine the correct kit for your pump.

† These parts are included in Air Valve Repair Kit 819.4274 (aluminum center housing models only), which may only be purchased as a kit.

■ These parts are included in Air Valve Repair Kit 819.0249 (stainless steel center housing models) which may be only be purchased as a kit.

▲ Replacement Danger and Warning labels, tags and cards are available at no cost.

4710C

Parts

Seat Parts List

Seat Material	Ref. No.	Part No.	Description	Qty
SS	201*	819.4349	SEAT; 316 stainless steel	4
	202*	819.4350	O-RING; PTFE	4
HY	201*	819.4352	SEAT; TPE	4
	202	None	Not Used	0
SP	201*	819.4353	SEAT; Santoprene	4
	202*	819.4350	O-RING; PTFE	4
BN	201*	819.7116	SEAT; Buna-N	4
	202*	None	Not Used	0
VT	201*	819.7114	SEAT; fluoroelastomer	4
	202*	None	Not Used	0
PP	201*	819.7055	SEAT; polypropylene	4
	202*	819.4350	O-RING; PTFE	4
KY	201*	819.4356	SEAT; PVDF	4
	202*	819.4350	O-RING; PTFE	4

Ball Parts List

Ref. No.	Part No.	Description	Qty
301*	819.4357	BALL; PTFE	4
301*	819.4358	BALL; acetal	4
301*	819.4359	BALL; 440C stainless steel	4
301*	819.4360	BALL; TPE	4
301*	819.4361	BALL; Santoprene	4
301*	819.7127	BALL; buna-N	4
301*	819.7126	BALL; fluoroelastomer	4
301*	819.7059	BALL; Geolast	4

Parts

Diaphragm Parts List

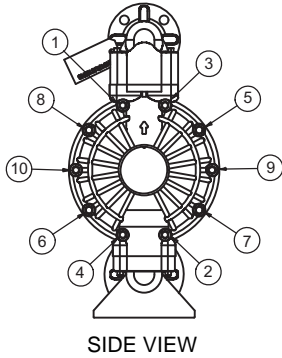
Diaphragm Material	Ref. No.	Part No.	Description	Qty
TF	401*	not sold separately	DIAPHRAGM, backup; polychloroprene (CR)	2
	402*	819.4284	PACKING, u-cup; nitrile	2
	403*	819.0270	DIAPHRAGM; PTFE	2
HY	401*	819.4363	DIAPHRAGM; TPE	2
	402*	819.4284	PACKING, u-cup; nitrile	2
SP	401*	819.4365	DIAPHRAGM; Santoprene	2
	402*	819.4284	PACKING, u-cup; nitrile	2
BN	401*	819.7119	DIAPHRAGM; buna-N	2
	402*	819.4284	PACKING, u-cup; nitrile	2
VT	401*	819.7132	DIAPHRAGM; fluoroelastomer	2
	402*	819.4284	PACKING, u-cup; nitrile	2
GE	401*	819.7061	DIAPHRAGM; Geolast	2
	402*	819.4284	PACKING, u-cup; nitrile	2

* These parts are included in the pump repair kit, purchased separately. See **Repair Kit Listing** on page 27 to determine the correct kit for your pump.

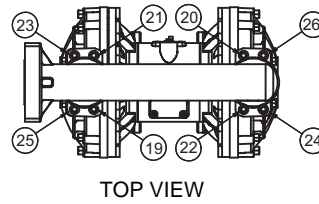
Torque Sequence

Always follow torque sequence when instructed to torque fasteners.

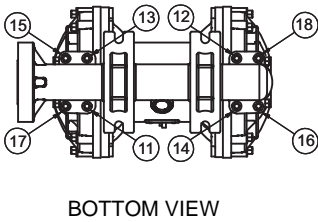
Left/Right Fluid Covers
Torque bolts to 22-25 N•m



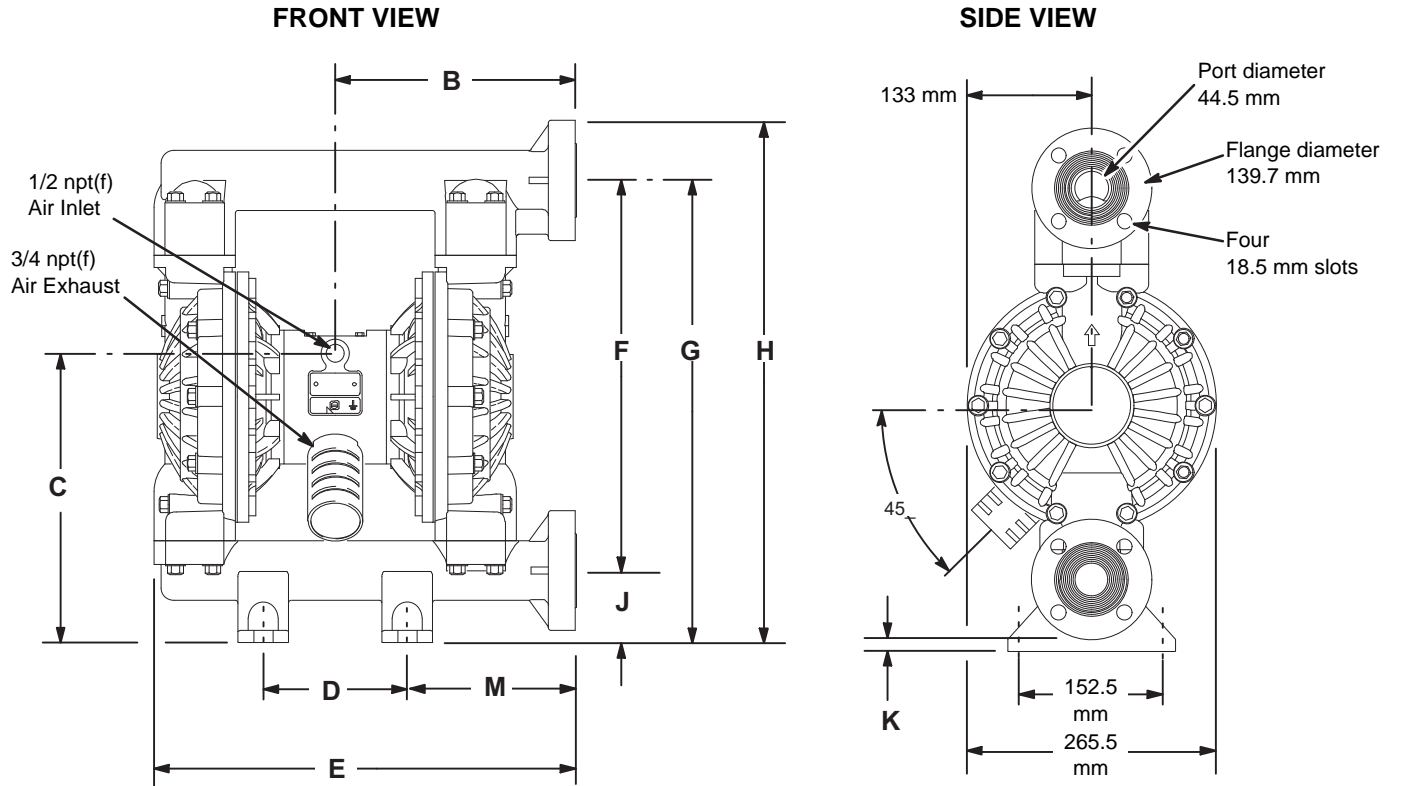
Outlet Manifold
Torque bolts to 9-10 N•m



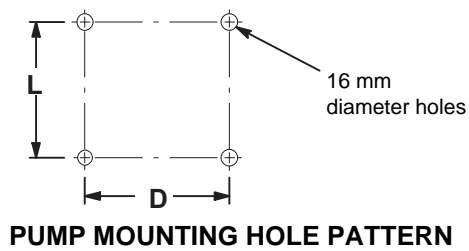
Inlet Manifold
Torque bolts to 9-10 N•m



Dimensions



7439A



Dimensions B, C, F, G, H and M can vary by up to 1/4 in. (6.3 mm) depending on the seat and diaphragm material fitted in the pump.

Dimensions

Dimension	SST Center Polypropylene Cover		SST Center PVDF Cover		SST Center Conductive Polypropylene Cover		Aluminum Center Polypropylene Cover		Aluminum Center PVDF Cover		Aluminum Center Conductive Polypropylene Cover	
	in.	mm	in.	mm	in.	mm	in.	mm	in.	mm	in.	mm
B	10.0	255	10.0	255	10.0	255	10.0	255	10.0	255	10.0	255
C	12.1	306	11.9	302	12.1	306	12.1	306	11.9	302	12.1	306
D	6.0	152	6.0	152	6.0	152	6.0	152	6.0	152	6.0	152
E	17.6	447	17.5	445	17.6	447	17.6	447	17.5	445	17.6	447
F	16.3	414	16.1	408	16.3	414	16.3	414	16.1	408	16.3	414
G	19.3	490	19.1	484	19.3	490	19.3	490	19.1	484	19.3	490
H	22.0	560	21.8	554	22.0	560	22.0	560	21.8	554	22.0	560
J	3.0	76	3.0	76	3.0	76	3.0	76	3.0	76	3.0	76
K	0.3	6	0.3	6	0.3	6	0.3	6	0.3	6	0.3	6
L	6.0	152	6.0	152	6.0	152	6.0	152	6.0	152	6.0	152
M	7.0	178	7.0	178	7.0	178	7.0	178	7.0	178	7.0	178

Technical Data

Maximum Fluid Working Pressure 8.3 bar
Air Pressure Operating Range 1.4-8.3 bar
Maximum Air Consumption 3.47 N m³/min
Air Consumption at 4.9 bar/
227 l/min. 1.4 N m³/min (see chart)
Maximum Free Flow Delivery 378.5 l/min
Maximum Pump Speed 200 cpm
Liters per cycle 1.9
Maximum Suction Lift. 5.48 m wet or dry
Maximum Size Pumpable Solids 4.8 mm
* Sound Pressure Level at 7 bar, 50 cpm. 94 dBa
* Sound Power Level at 7 bar, 50 cpm. 108 dBa
* Sound Pressure Level at 4.9 bar, 50 cpm 72 dBa
Maximum Operating Temperature 65.5°C
Air Inlet Size. 1/2 npt(f)
Fluid Inlet Size. 1-1/2 in. Raised Face Flange

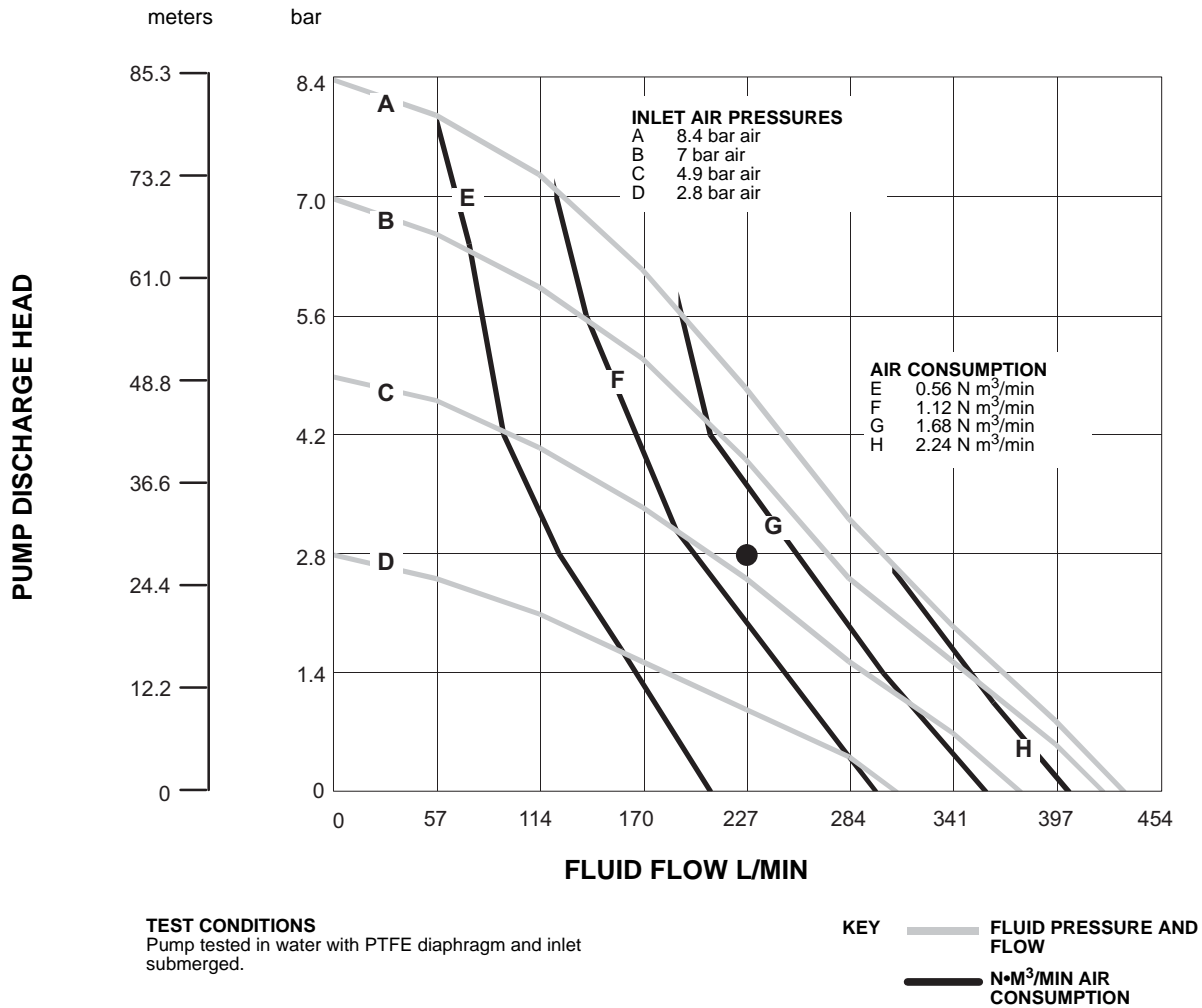
Fluid Outlet Size. 1-1/2 in. Raised Face Flange
Wetted Parts Vary by Model.
. Refer to pages 28-30
Non-wetted External Parts Aluminum, 302, 316 Stainless Steel
. Polyester (labels)
Weight *Polypropylene Pumps*
with aluminum air sections: 16 kg
with stainless steel air sections: 32 kg
PVDF Pumps
with aluminum air sections: 22 kg
with stainless steel air section: 41 kg
Santoprene® is a registered trademark of the Monsanto Co.

* *Sound pressure levels measured with the pump mounted on the floor, using Rubber Foot Kit 819.4333. Sound power measured per ISO Standard 9614-2.*

Performance Chart

Example of Finding Pump Air Consumption and Air Pressure at a Specific Fluid Delivery and Discharge Head:

To supply 227 liters fluid flow (horizontal scale) at 2.8 bar discharge head pressure (vertical scale) requires approximately 1.40 N•m³/min air consumption at 4.9 bar inlet air pressure.



Customer Services/Guarantee

CUSTOMER SERVICES

If you require spare parts, please contact your local distributor, providing the following details:

- Pump Model
- Type
- Serial Number, and
- Date of First Order.

GUARANTEE

All VERDER pumps are warranted to the original user against defects in workmanship or materials under normal use (rental use excluded) for two years after purchase date. This warranty does not cover failure of parts or components due to normal wear, damage or failure which in the judgement of VERDER arises from misuse.

Parts determined by VERDER to be defective in material or workmanship will be repaired or replaced.

LIMITATION OF LIABILITY

To the extent allowable under applicable law, VERDER's liability for consequential damages is expressly disclaimed. VERDER's liability in all events is limited and shall not exceed the purchase price.

WARRANTY DISCLAIMER

VERDER has made an effort to illustrate and describe the products in the enclosed brochure accurately; however, such illustrations and descriptions are for the sole purpose of identification and do not express or imply a warranty that the products are merchantable, or fit for a particular purpose, or that the products will necessarily conform to the illustration or descriptions.

PRODUCT SUITABILITY

Many regions, states and localities have codes and regulations governing the sale, construction, installation and/or use of products for certain purposes, which may vary from those in neighbouring areas. While VERDER attempts to assure that its products comply with such codes, it cannot guarantee compliance, and cannot be responsible for how the product is installed or used. Before purchasing and using a product, please review the product application as well as the national and local codes and regulations, and be sure that product, installation, and use complies with them.



EU-DECLARATION OF CONFORMITY

EU-KONFORMITEITSVERKLARING, DÉCLARATION UE DE CONFORMITÉ, EU-KONFORMITÄTSEKTLÄRUNG DICHIARAZIONE DI CONFORMITÀ UE, EU-OVERENSSTEMMELSESERKLÆRING, ΔΗΛΩΣΗ ΣΥΜΜΟΡΦΩΣΗΣ ΕΕ, DECLARAÇÃO UE DE CONFORMIDADE, DECLARACIÓN UE DE CONFORMIDAD, EU-VAAITMUSTENMUKAISUUSVAKUUTUS, EU-FÖRSÄKRAN OM ÖVERENSSTÄMMELSE, EU PROHLÁŠENÍ O SHODĚ, ELI VASTAVUSDEKLARATSIOON, EU-MEGFELELŐSÉGI NYILATKOZAT, ES ATBILSTĪBAS DEKLARĀCIJA, ES ATITIKTIKTES DEKLARACIJA DEKLARACJA ZGODNOŚCI UE, DIKJARAZZJONI TA' KONFORMITÀ TAL-UE, EU IZJAVA O SUKLADNOSTI, EU VYHLÁŠENIE O ZHODE, ЕС ДЕКЛАРАЦІЯ ЗА СЪОТВЕТСТВИЕ, DECLARAȚIA UE DE CONFORMITATE

Model

Modèle, Modell, Modello, Μοντέλο,
Modelo, Malli, Mudel, Modelis, Mudell, Модел, Samhail

VERDERAIR VA 40

Part

Bestelnr., Type, Teil, Codice, Del, Μέρος, Peça,
Referencia, Osa, Součást, Részegység, Dajka, Dalis,
Część, Taqsim, Časť, Част, Páirt, Parte

810.0089–810.0091, 810.0097–810.0100, 810.0104, 810.0183,
810.3793–810.3936, 810.5807–810.5950, 810.6983, 810.6984,
810.7020, 810.7021, 810.7027, 810.7040–810.7042,
810.7054–810.7061

Complies With The EC Directives:

Voldeot aan de EG-richtlijnen, Conforme aux directives CE, Entspricht den EG-Richtlinien, Conforme alle direttive CE, Overholder EF-direktiverne, Σύμφωνα με τις Οδηγίες της ΕΚ, Em conformidade com as Directivas CE, Cuple las directivas de la CE, Täyttää EY-direktiivien vaatimukset, Uppfyller EG-direktiven, Shoda se směrnicemi ES, Vastab EU direktiividele, Kielegít az EK irányelvek követelményeit, Atbilst EK direktívam, Atitinka šias ES direktyvas, Zgodność z Dyrektywami UE, Konformi mad-Direttivi tal-KE, V skladu z direktivami ES, Je v súlade so smernicami ES, Съвместимост с Директиви на ЕО, Tá ag teacht le Treoraacha an CE, Respectă directivele CE

2006/42/EC Machinery Directive

Standards Used:

Gebruikte maatstaven, Normes respectées, Verwendete Normen, Norme applicate, Anvendte standarder, Πρότυπα που χρησιμοποιήθηκαν, Normas utilizadas, Normas aplicadas, Sovellettavat standardit, Tillämpade standarder, Použité normy, Rakendatud standardid, Alkalmazott szabványok, Izmantotie standarti, Taikyti standartai, Užyte normy, Standards Užati, Uprabljeni standardi, Použité normy, Използвани стандарти, Caighdeáin arna n-úsáid, Standarde utilizate

ISO 12100

ISO 9614-1

Notified Body for Directive

Aangemelde instantie voor richtlijn, Organisme notifié pour la directive, Benannte Stelle für diese Richtlinie, Ente certificatore della direttiva, Bemyndiget organ for direktiv, Διακοινωμένο όργανο Οδηγίας, Organismo notificado relativamente à directiva, Organismo notificado de la directiva, Direktiivini mukaisesti ilmoitettu tarkastuslaitos, Anmält organ för direktivet, Úředně oznámený orgán pro směrnici, Teavitatud asutus (direktiivi järgi), Az irányelvvel kapcsolatban értesített testület, Pilnvarotā iestāde saskaņā ar direktīvu, Apie direktīvu Informuota institūcija, Ciato powiadomione dla Dyrektywy, Korp avzāt bid-Direttiva, Priglašeni organ za direktivo, Notifikovaný orgán pre smernicu, Нотифициран орган за Директива, Comhlacht ar tugadh fógra dó, Organism notificat în conformitate cu directiva

Approved By:

Goedgekeurd door, Approuvé par, Genehmigt von, Approvato da, Godkendt af, Έγκριση από, Aprovado por, Aprobado por, Hváksynyt, Intygás av, Schwáilil, Kinnitanud, Jóváhagyta, Apstiprināts, Patvirtino, Zatwierdzone przez, Approvat minn, Odobril, Schválené, Одобрено от, Faofa ag, Aprobat de

Werner Bosman
Managing Director

15 February 2017

VERDER BV

Leningradweg 5
9723 TP Groningen
NETHERLANDS

819.5960

B

This declaration of conformity is issued under the sole responsibility of the manufacturer. Deze conformiteitsverklaring wordt verstrekt onder volledige verantwoordelijkheid van de fabrikant. La présente déclaration de conformité est établie sous la seule responsabilité du fabricant. Die alleinige Verantwortung für die Ausstellung dieser Konformitätserklärung trägt der Hersteller. La presente dichiarazione di conformità è rilasciata sotto la responsabilità esclusiva del fabbricante. Denne overensstemmelseserklæring udstedes på fabrikantens ansvar. Η παρούσα δήλωση συμμόρφωσης εκδίδεται με αποκλειστική ευθύνη του κατασκευαστή. A presente declaração de conformidade é emitida sob a exclusiva responsabilidade do fabricante. La presente declaración de conformidad se expide bajo la exclusiva responsabilidad del fabricante. Tämä vaatimustenmukaisuusvakuutus on annettu valmistajan yksinomaisella vastuulla. Denna försäkran om överensstämmelse utfärdas på tillverkarens eget ansvar. Toto prohlášení o shodě se vydává na výhradní odpovědnost výrobce. Kāesdēv vastavusdeklaratsioon on välja antud tootja ainuvastutusel. Ezt a megfelelőségi nyilatkozatot a gyártó kizárólagos felelőssége mellett adja ki. Št atbilstības deklarācija ir izdota vienīgi uz ražotāja atbildību. Ši atitiktības deklaracija išduota tik gamintojo atsakomybe. Nimiejsza deklaracja zgodności wydana zostaje na wyłączną odpowiedzialność producenta. Din id-dikjarazzjoni tal-konformità qiegħda tinfareg taht ir-responsabbiltà unika tal-manifattur. Ta izjava o skladnosti je izdana na lastno odgovornost proizvajalca. Toto vyhlášení o zhode sa vydáva na výhradnú zodpovednosť výrobcu. Настоящата декларация за съответствие е издадена на отговорността на производителя: Prezentata declarație de conformitate este emisă pe răspunderea exclusivă a producătorului.



EU-DECLARATION OF CONFORMITY

EU-CONFORMITEITSVERKLARING, DÉCLARATION UE DE CONFORMITÉ, EU-KONFORMITÄTSEKTLÄRUNG DICHIARAZIONE DI CONFORMITÀ UE, EU-OVERENSSTEMMELSESEKTLÆRING, ΔΗΛΩΣΗ ΣΥΜΜΟΡΦΩΣΗΣ ΕΕ, DECLARAÇÃO UE DE CONFORMIDADE, DECLARACIÓN UE DE CONFORMIDAD, EU-VAATIMUSTENMUKAISUUSVAKUUTUS, EU-FÖRSÄKRAN OM ÖVERENSSTÄMMELSE, EU PROHLÁŠENÍ O SHODĚ, ELI VASTAVUSDEKLARATSIOON, EU-MEGFELELŐSÉGI NYILATKOZAT, ES ATBILSTĪBAS DEKLARĀCIJA, ES ATITIKTIKTES DEKLARACIJA DEKLARACJA ZGODNOŚCI UE, ΔΙΚΛΑΡΑΖΖΟΝΙ ΤΑ' ΚΟΝΦΟΡΜΙΤΑ ΤΑΛ-UE, EU IZJAVA O SKLADNOSTI, EU VYHLÁSENIE O ZHODE, ЕС ДЕКЛАРАЦІЯ ЗА СЪОТВЕТСТВИЕ, DECLARAȚIA UE DE CONFORMITATE

Model

Modèle, Modell, Modello, Μοντέλο, Modelo, Malli, Mudel, Modelis, Mudell, Модел, Samhail

VERDERAIR VA 40

Part

Bestelnr., Type, Teil, Codice, Del, Μέρος, Peça, Referencia, Osa, Součást, Részegység, Daja, Dalis, Część, Taqsimā, Část, Част, Páirt, Parte

810.0092–810.0096, 810.0101–810.0103, 810.1632–810.1750,
810.1752–810.1967, 810.6985–810.6988, 810.7006,
810.7022–810.7026, 810.0432–810.0447

Complies With The EC Directives:

Voldoet aan de EG-richtlijnen, Conforme aux directives CE, Entspricht den EG-Richtlinien, Conforme alle direttive CE, Overholder EF-direktiverne, Σύμφωνα με τις Οδηγίες της ΕΚ, Em conformidade com as Directivas CE, Cumpre las directivas de la CE, Täyttää EY-direktiivien vaatimukset, Uppfyller EG-direktiven, Shoda se směrniciemi ES, Vastab EÜ direktiividele, Kielegíti az EK irányelvek követelményeit, Atbilst EK direktivām, Atitinka šias ES direktivas, Zgodność z Dyrektywami UE, Konformi mad-Direttivi tal-KE, V skladu z direktivami ES, Je v súlade so smernicami ES, Съвместимост с Директиви на ЕО, Tá ag teacht le Treoracha an CE, Respectă directivele CE

2006/42/EC Machinery Directive

2014/34/EC ATEX Directive (EX II 2 GD c IIC T4) – Tech File stored with NB 0359

Standards Used:

Gebruikte maatstaven, Normes respectées, Verwendete Normen, Norme applicate, Anvendte standarder, Πρότυπα που χρησιμοποιήθηκαν, Normas utilizadas, Normas aplicadas, Sovellettavat standardit, Tillämpade standarder, Použité normy, Rakendatud standardid, Alkalmazott szabványok, Izmantotie standarti, Taikyti standartai, Užyte normy, Standards Užati, Uporabljeni standardi, Použité normy, Използвани стандарти, Caigndeáin arna n-úsáid, Standarde utilizate

EN 1127-1

EN 13463-1

ISO 12100

ISO 9614-1

Notified Body for Directive

Aangemelde instantie voor richtlijn, Organisme notifié pour la directive, Benannte Stelle für diese Richtlinie, Ente certificatore della direttiva, Bemyndiget organ for direktiv, Διακοινωμένο όργανο Οδηγίας, Organismo notificado relativamente à diretiva, Organismo notificado de la directiva, Direktiivin mukaisesti ilmoitettu tarkastuslaitos, Anmält organ för direktivet, Úředně oznámený orgán pro směrnici, Teavitatud asutus (direktiivi järgi), Az irányelvről kapcsoltan értesített testület, Piltarvortā iestāde saskaņā ar direktīvu, Apie direktīvu Informuota institūcija, Ciało powiadomione dla Dyrektywy, Korp avzat bid-Direttiva, Priglašeni organ za direktivo, Notifikovaný orgán pre smernicu, Нотифициран орган за Директива, Comhlacht ar tugadh fógra dó, Organism notificat în conformitate cu directiva

--	--	--	--

Approved By:

Goedgekeurd door, Approuvé par, Genehmigt von, Approvato da, Godkendt af, Έγκριση από, Aprobado por, Aprobado por, Hyväksynyt, Intygas av, Schwälil, Kinnitanud, Jóváhagyta, Apsiprināts, Patvirtino, Zatwierdzone przez, Approvat minn, Odobril, Schválené, Одобрено от, Faofa ag, Aprobat de

Werner Bosman
Managing Director

15 February 2017

VERDER BV
Leningradweg 5
9723 TP Groningen
NETHERLANDS

819.5960

B

This declaration of conformity is issued under the sole responsibility of the manufacturer. Deze conformiteitsverklaring wordt verstrekt onder volledige verantwoordelijkheid van de fabrikant. La présente déclaration de conformité est établie sous la seule responsabilité du fabricant. Die alleinige Verantwortung für die Ausstellung dieser Konformitätserklärung trägt der Hersteller. La presente dichiarazione di conformità è rilasciata sotto la responsabilità esclusiva del fabbricante. Denne overensstemmelseerklæring udstedes på fabrikantens ansvar. Η παρούσα δήλωση συμμόρφωσης εκδίδεται με αποκλειστική ευθύνη του κατασκευαστή. A presente declaração de conformidade é emitida sob a exclusiva responsabilidade do fabricante. La presente declaración de conformidad se expide bajo la exclusiva responsabilidad del fabricante. Tämä vaatimustenmukaisuusvakuutus on annettu valmistajan yksinomaisella vastuulla. Denna försäkran om överensstämmelse utfärdas på tillverkarens eget ansvar. Toto prohlášení o shodě se vydává na výhradní odpovědnost výrobce. Käesolev vastavusdeklaratsioon on välja antud tootja ainuvastutusel. Ezt a megfelelőségi nyilatkozatot a gyártó kizárólagos felelőssége mellett adják ki. Št atbilstības deklarācija ir izdota vienīgi uz ražotāja atbildību. Ši atitikties deklaracija išduota tik gamintojo atsakomybe. Niniejsza deklaracja zgodności wydana zostaje na wyłączną odpowiedzialność producenta. Din id-dikjarazzjoni tal-konformità qiegħda tinhareġ taht ir-responsabbiltà unika tal-manifattur. Ta izjava o skladnosti je izdana na lastno odgovornost proizvajalca. Toto vyhlásenie o zhode sa vydáva na výhradnú zodpovednosť výrobcu. Настоящата декларация за съответствие е издадена на отговорността на производителя. Prezenta declarație de conformitate este emisă pe răspunderea exclusivă a producătorului.

Austria

Verder Austria
 Eitnergasse 21/Top 8
 A-1230 Wien
 AUSTRIA
 Tel: +43 1 86 51 074 0
 Fax: +43 1 86 51 076
 e-mail: office@verder.at

Belgium

Verder nv
 Kontichsesteenweg 17
 B-2630 Aartselaar
 BELGIUM
 Tel: +32 3 877 11 12
 Fax: +32 3 877 05 75
 e-mail: info@verder.be

China

Verder Shanghai Instruments and Equipment Co., Ltd
 Building 8 Fuhai Business Park No. 299
 Bisheng Road, Zhangjiang Hiteck Park
 Shanghai 201204
 CHINA
 Tel: +86 21 33932950
 Fax: +86 21 33932955
 e-mail: info@verder.cn

Bulgaria

Verder Bulgaria Ltd
 Vitosh department,
 Manastriski Livadi Zapad
 district,
 110 Bulgaria Blvd., 2-nd
 Floor, apt. 15-16,
 1618 - Sofia
 BULGARIA
 Tel: 0878407370
 Fax: 02 9584085
 email: office@verder.bg

Czech Republic

Verder s.r.o.
 Vodnanská 651/6 (vchod
 Chlumecka 15)
 198 00 Praha 9-Kyje
 CZECH REPUBLIC
 Tel: +420 261 225 386-7
 Web: <http://www.verder.cz>
 e-mail: info@verder.cz

Denmark

Verder A/S
 Sales Denmark
 Leningradweg 5
 NL 9723 TP Groningen
 THE NETHERLANDS
 Tel: +45 3636 4600
 e-mail: info@verder.dk

France

Verder France
 Parc des Bellevues,
 Rue du Gros Chêne
 F-95610 Eragny sur Oise
 FRANCE
 Tel: +33 134 64 31 11
 Fax: +33 134 64 44 50
 e-mail: verder-
 info@verder.fr

Germany

Verder Deutschland GmbH
 Retsch-Allee 1-5
 42781 Haan
 GERMANY
 Tel: 02104/2333-200
 Fax: 02104/2333-299
 e-mail: info@verder.de

Hungary

Verder Hongary Kft
 Budafoke ut 187 - 189
 HU-1117 Budapest
 HUNGARY
 Tel: 0036 1 3651140
 Fax: 0036 1 3725232
 e-mail: info@verder.hu

India

Verder India Pumps Pvt
 Ltd.
 Plot No-3B, D-1 Block,
 MIDC Chinchwad,
 Pune - 411019
 INDIA
 e-mail:
 Sales@verder.co.in
 www.verder.co.in

Italy

Verder Italia
 Via Maestri Del lavoro, 5
 02100 Vazia, Rieti
 ITALY
 Tel: +39 07 46 229064
 e-mail: info@verder.it

The Netherlands

Verder BV
 Leningradweg 5
 NL 9723 TP Groningen
 THE NETHERLANDS
 Tel: +31 50 549 59 00
 Fax: +31 50 549 59 01
 e-mail: info@verder.nl

Poland

Verder Polska
 ul.Ligonia 8/1
 PL-40 036 Katowice
 POLAND
 Tel: +48 32 78 15 032
 Fax: +48 32 78 15 034
 e-mail: verder@verder.pl

Romania

Verder România
 Drumul Balta Doamnei
 no 57-61
 Sector 3
 CP 72-117
 032624 Bucuresti
 ROMANIA
 Tel: +40 21 335 45 92
 Fax: +40 21 337 33 92
 e-mail: office@verder.ro

Slovak Republik

Verder Slovakia s.r.o.
 Silacska 1
 SK-831 02 Bratislava
 SLOVAK REPUBLIK
 Tel: +421 2 4463 07 88
 Fax: +421 2 4445 65 78
 e-mail: info@verder.sk

South Africa

Verder SA
 197 Flaming Rock Avenue
 Northlands Business Park
 Newmarket Street
 ZA Northriding
 SOUTH AFRICA
 Tel: +27 11 704 7500
 Fax: +27 11 704 7515
 e-mail: info@verder.co.za

Switzerland

Verder Deutschland GmbH
 Sales Switzerland
 Retsch-Allee 1-5
 D-42781 Haan
 GERMANY
 Tel: +41 (0)61 331 33 13
 Fax: +41 (0)61 331 63 22
 e-mail: info@verder.ch

United Kingdom

Verder UK Ltd.
 Unit 3 California Drive
 Castleford, WF10 5QH
 UNITED KINGDOM
 Tel: +44 (0) 1924 221 001
 Fax: +44 (0) 1132 465 649
 e-mail: info@verder.co.uk

United States of America

Verder Inc.
 312 Corporate Parkway
 Suite 101
 Macon, GA 31210
 USA
 Tel: +1 877 783 7337
 Fax: +1 478 476 9867
 e-mail: sales@verder-
 us.com