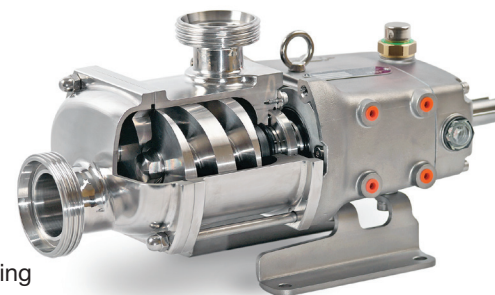


JEC

Twin screw pumps JRZS



Description

JRZS screw pumps offer a gentle pumping action. They are especially ideal for pumping high viscosities (for example dough). Also excellent for pumping fluids with changing viscosities (for example subsequent CIP cleaning). The seals can be easily exchanged from the front side of the pump.

Your benefits

- Screw pump with twin screw technology
- Wetted components made of 316L stainless steel (Ra <0.8 µm)
- Pulsation-free and gentle pumping of shear sensitive media
- Double row angular contact ball bearings - ideal for high speeds
- Two different conveyor screw variants
- Optional: heating jacket as well as hardened conveyor screws and housing

Technical details

Max. flow	1660 l/min	Max. viscosity	1.000.000 mPas
Max. pressure	12 bar	Temperature range	-10 to +150 °C
Max. rotation speed	3000 rpm	Surface finish	Ra 0,8 µm
Connections	DIN, ISO, Tri-Clamp, SMS, RJT, Flange	Certifications	3A, EHEDG, FDA, EC 1935/2004, ATEX

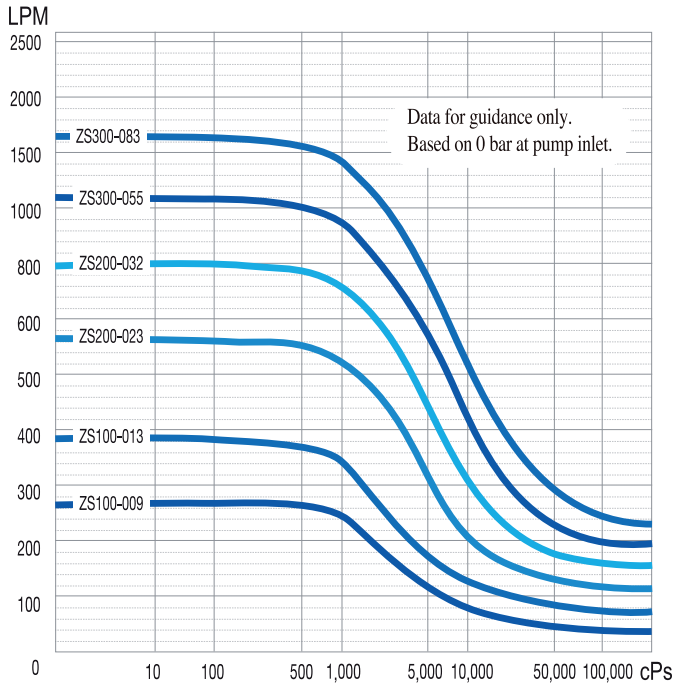
Summary

Size	Model	Screw pitch (mm)	Flow/rpm min-1	Max. pressure (bar)	Max. rotation speed (rpm)
100	ZS100-009-12	22	0,09	12	3000
	ZS100-013-08	34	0,13	8	3000
200	ZS-200-023-12	30	0,23	12	2500
	ZS200-032-08	45	0,32	8	2500
300	ZS300-055-12	40	0,55	12	2000
	ZS300-083-08	60	0,83	8	2000

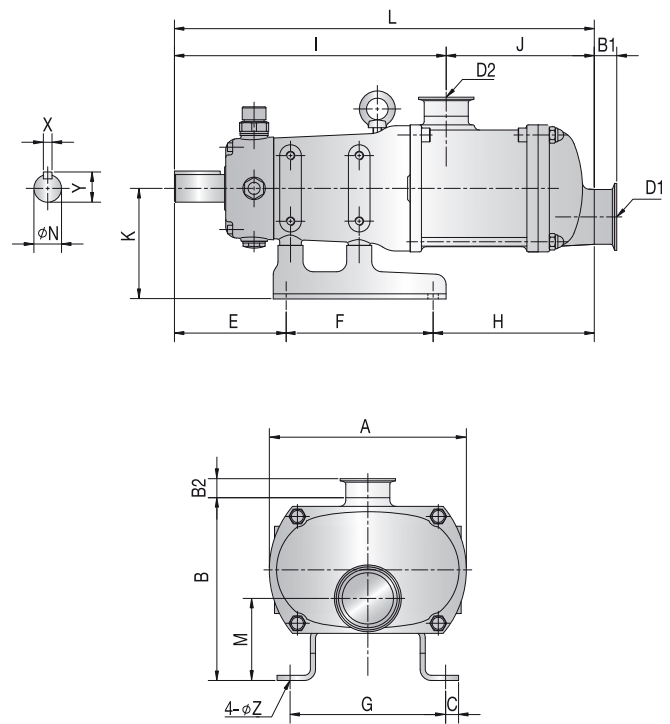
JEC

Twin screw pumps JRZS

Curve

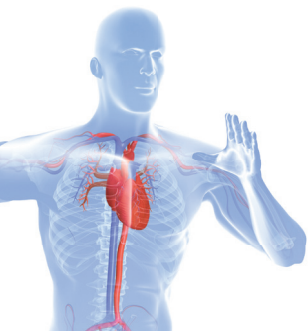


Dimensions



Model	Dimensions in mm												
	A	B	C	E	F	G	H	K	L	N	X	Y	Z
JRZS100	115	168	12	96	124	134	141	101	360	22	8	25	9
JRZS200	228	212	15	129	170	180	186	128	486	32	10	35	11
JRZS300	315	297	21	158	215	242	245	181	618	45	14	49	13

All dimensions in mm (dimensions are approximate values)



Find your local supplier at www.verderliquids.com

For construction, installation and floor mounting drawings
please contact your local authorised distributor.